

# TEAC<sup>®</sup>

**VHS**<sub>PAL</sub> Video Cassette Recorder



## **MV-3030**

## **MV-3050G**

## **MV-4010G**

# Service Manual

NO.289C2590

# CONTENTS

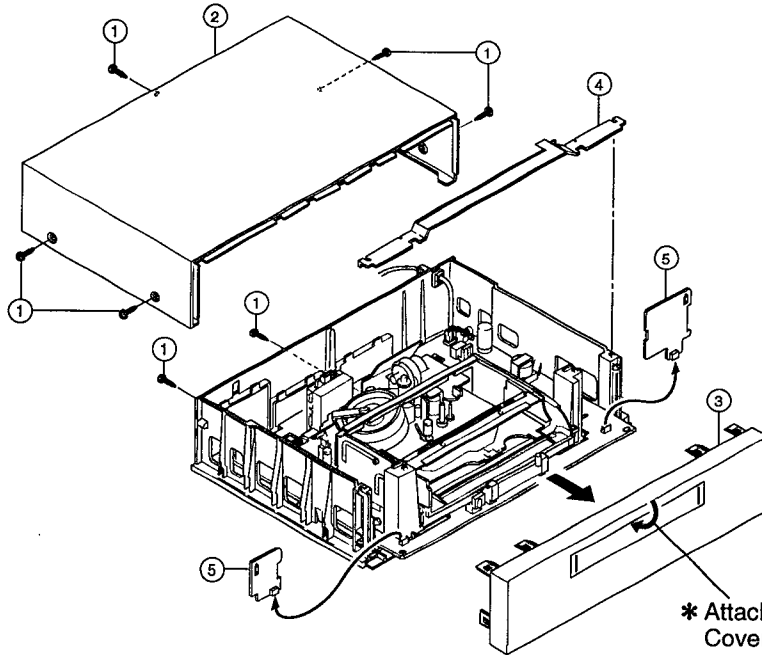
<b>SUMMARY</b> .....	1
1. REMOVAL OF THE DECK MECHANISM .....	1
1-1. REMOVING THE TOP COVER AND FP ASSY .....	1
1-2. REMOVING THE DECK MECHANISM .....	1
2. BRIEF SERVICE INSTRUCTION .....	2
2-1. REMOVING THE MAIN PCB .....	2
2-2. INSTALLING THE DECK MECHANISM FOR BRIEF OPERATION .....	2
<b>ELECTRICAL ADJUSTMENT</b> .....	3
1. PLAYBACK SWITCHING POINT ADJUSTMENT .....	3
<b>MECHANICAL ADJUSTMENT</b> .....	4
DECK ADJUSTMENT POINTS .....	4
1. MECHANISM CONTROL .....	5
2. ADJUSTMENT OF BT TORQUE IN PLAY MODE .....	6
3. AUDIO/CTL HEAD .....	7
4. TAPE TRANSPORT SYSTEM CHECKS AND ADJUSTMENT .....	7
5. INTERCHANGEABILITY ADJUSTMENT .....	9
6. RG POST HEIGHT ADJUSTMENT .....	12
7. FRONT LOADING ASSEMBLY ATTACHMENT .....	13
PERIODIC MAINTENANCE .....	14
<b>SERVICING DIAGRAMS AND PARTS LIST</b> .....	16
1. CASSETTE DECK ASSEMBLY .....	16
2. BLOCK DIAGRAM .....	20
3. TERMINOLOGY REFERENCE .....	21
4. SCHEMATIC DIAGRAM (MV-3030/MV-3050G) .....	Separate sheet
SCHEMATIC DIAGRAM (MV-4010G) .....	Separate sheet
5. IC, TRANSISTOR LEAD IDENTIFICATION .....	23
6. CABINET & CHASSIS ASSEMBLY .....	24
7. PARTS LIST FOR FINAL ASSEMBLY .....	25
8. PC BOARD ASS'Y (MAIN) PARTS LOCATION (MV-3030/MV-3050G) .....	26
PC BOARD ASS'Y (MAIN) PARTS LOCATION (MV-4010G) .....	28
9. PC BOARD ASS'Y (MAIN) PARTS LIST .....	30
10. PC BOARD ASS'Y (HEAD) PARTS LIST (MV-3030/MV-3050G) .....	37
11. PC BOARD ASS'Y (HEAD) PARTS LOCATION (MV-3030/MV-3050G) .....	37
12. PC BOARD ASS'Y (HEAD) PARTS LIST (MV-4010G) .....	38
13. PC BOARD ASS'Y (HEAD) PARTS LOCATION (MV-4010G) .....	38
14. PC BOARD ASS'Y (SUB 1) PARTS LIST .....	39
15. PC BOARD ASS'Y (SUB 1) PARTS LOCATION .....	39
16. PC BOARD ASS'Y (SUB 2) PARTS LIST .....	39
17. PC BOARD ASS'Y (SUB 2) PARTS LOCATION .....	39

# SUMMARY

## 1. REMOVAL OF THE DECK MECHANISM

### 1-1. REMOVING THE TOP COVER AND FP ASSY

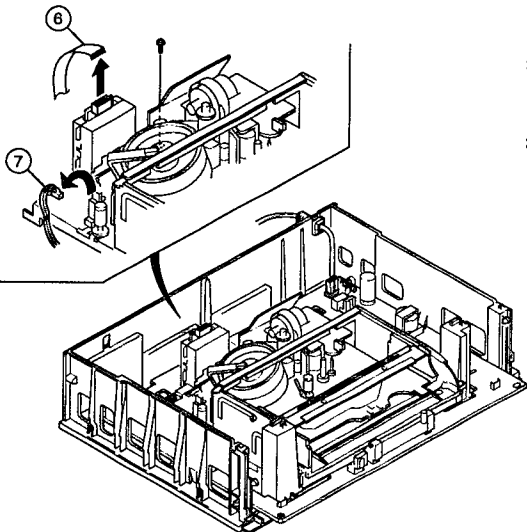
- ① Remove the screws.
- ② Remove the Top Cover.
- ③ Remove the FP Assy, held in position by the eight prongs, the direction of arrow.
- ④ Remove the Bracket.
- ⑤ Remove the Sub PCB, if one is attached, from the Main PCB.



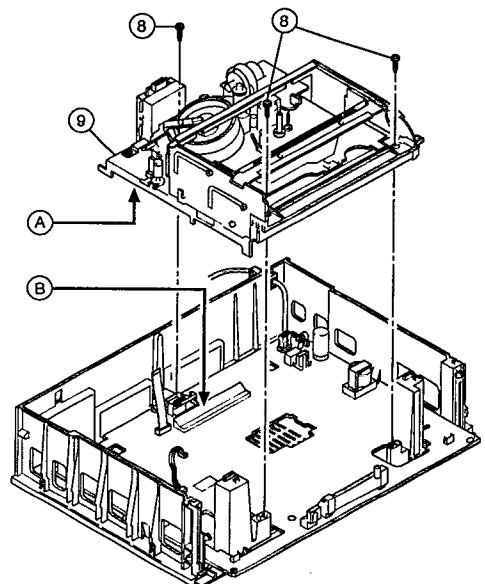
\* Attach the Face Plate with the Dust Cover pushed open.

### 1-2. REMOVING THE DECK MECHANISM

- ⑥ Disconnect the Flexible Wire 9P or 11P from the Head Amp Unit.
- ⑦ Disconnect the Connector (N401) from the Deck Mechanism.
- ⑧ Remove three screws.
- ⑨ Remove the Deck Mechanism.



\* When handling the Deck Mechanism, take care not to touch the cylinder head.  
\* Never touch the gold plated part on the Base PWB Ass'y (A) as oil or other dirt will cause the electrical connection to deteriorate. The spring connection point (B) of the connector will also be distorted if touched. Therefore, never touch these parts.

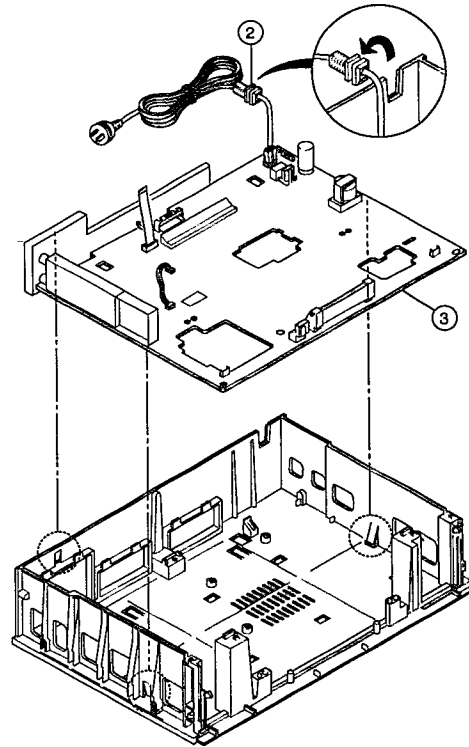
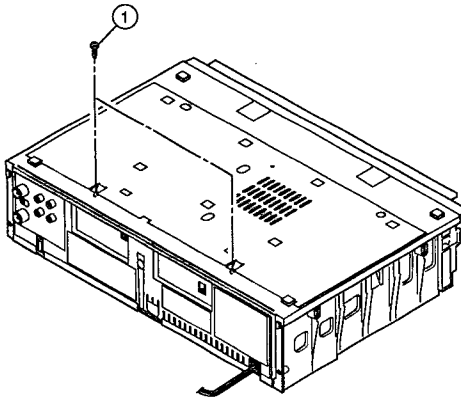


## 2. BRIEF SERVICE INSTRUCTION

### 2-1. REMOVING THE MAIN PCB

• Remove the Deck Mechanism as described in steps 1-1 and 1-2 of 1. REMOVAL OF THE DECK MECHANISM.

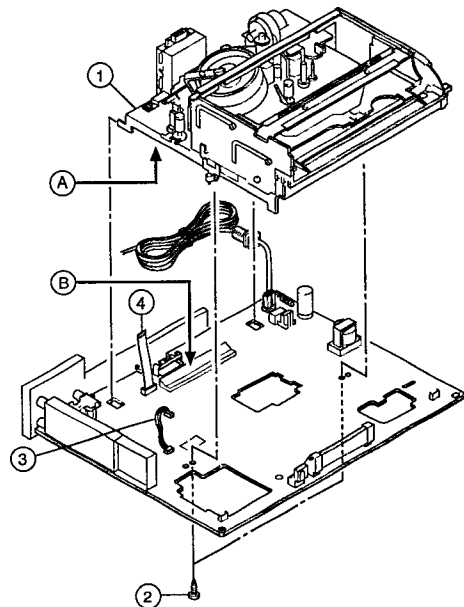
- ① Remove the two screws.
- ② Disconnect the Power Cord from the chassis.
- ③ Remove the Main PCB from the three prongs on the chassis. (Do not hold the Tuner when removing the Main PCB.) Remove the Sub PCB, if one is attached, from the Main PCB.



### 2-2. INSTALLING THE DECK MECHANISM FOR BRIEF OPERATION

- ① Attach the Deck Mechanism to the Main PCB removed from the chassis.
- ② Fix the two spacers of the Deck Mechanism to the back of the Main PCB with screws.
- ③ Attach the Connector (N401) to the Deck Mechanism.
- ④ Attach the Flexible Wire 9P or 11P to the Head Amp Unit.

\* Never touch the gold plated part on the Base PWB Ass'y (A) as oil or other dirt will cause the electrical connection to deteriorate. The spring connection point (B) of the connector will also be distorted if touched. Therefore, never touch these parts.



# ELECTRICAL ADJUSTMENT

## 1. PLAYBACK SWITCHING POINT ADJUSTMENT

- Mode** : PLAY
- Test Signal** : TPS-13 or 13S
- Check Point** : FIP
- Adjustment Point** : CH UP/DOWN (▲/▼) KEY
- Adjustment** :
- (1) Solder a 30cm long piece of lead to the PG-TP at the back of the Main PCB (Figure 1 below) and wind it round the back. (Take care not to short circuit nearby components.)
  - (2) Playback the test tape and allow the automatic ATR to finish. The ATR is finished when "ATR" on the FIP stops blinking.
  - (3) Connect the lead attached in step (1) to the Tuner (ETA01) earth line. Then, most of the segments on the FIP, for example, "ATR" goes OFF. See Figure 2 below. (Make sure that the lead can not come loose.)
  - (4) Adjust the display for FIP (H701) with the CH UP/DOWN (▲/▼) keys until it is as shown in Figure 2 Display B below.
  - (5) Remove the lead.

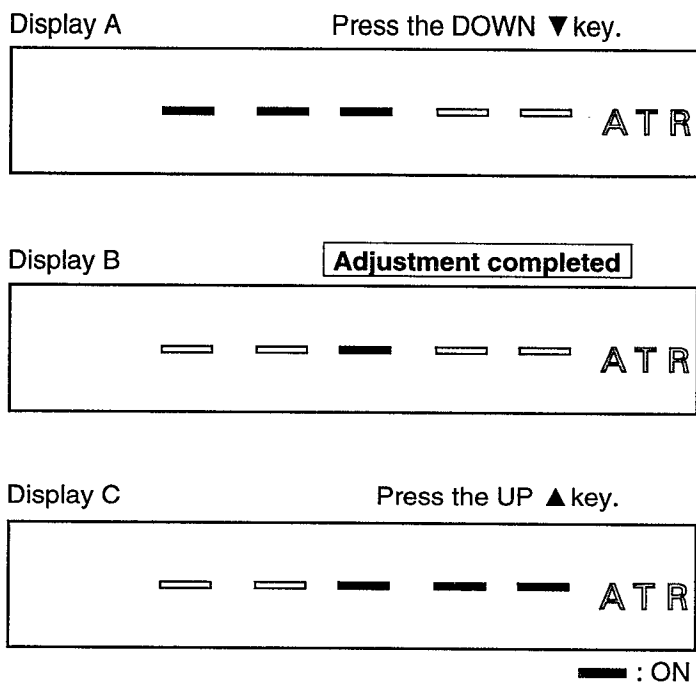


Figure 2

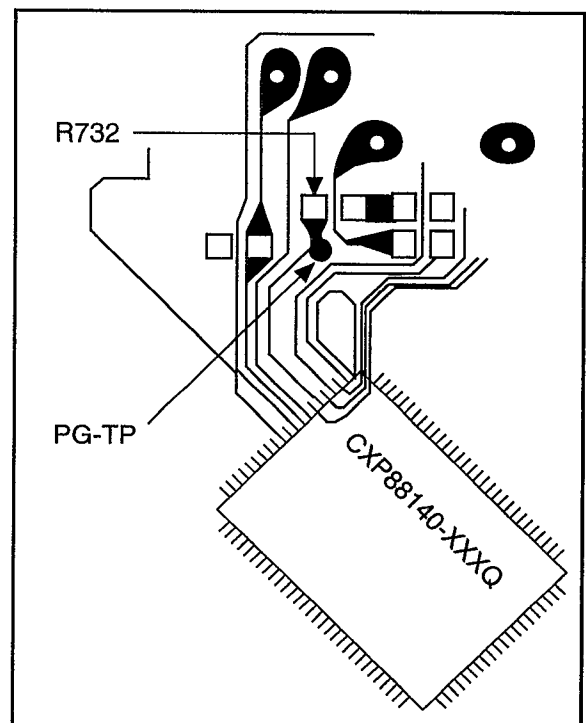
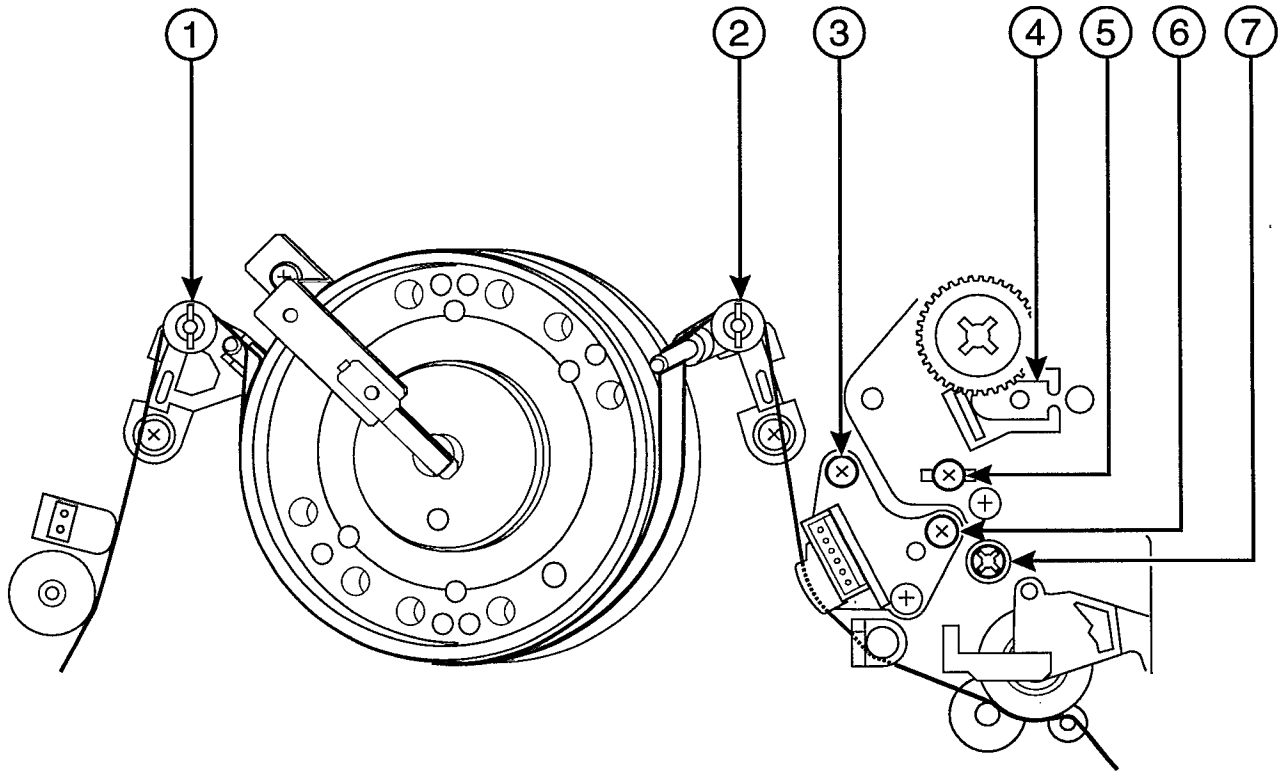


Figure 1

# MECHANICAL ADJUSTMENT

## DECK ADJUSTMENT POINTS

- ① FM Waveform (Envelope) entrance adjustment screw
- ② FM Waveform (Envelope) exit adjustment screw
- ③ Audio Azimuth adjustment screw
- ④ Control Head phase (X-value) adjustment point
- ⑤ Audio/CTL Head height adjustment screw
- ⑥ A/C Head tilt adjustment screw
- ⑦ RG Post height adjustment screw



# 1. MECHANISM CONTROL

The mechanism includes its own mode as well as the operation mode of the VCR as shown in the chart below. This mode serves an important function in working to protect the tape by passing through the VCR when the mode is switched over.

The movement of the mechanism mode is performed by the control signal of the loading motor's rotary control circuit. With this control, the operation mode position is detected by the Mode switch (4-bit mode data output), Cassette In switch, tape top sensor and the tape end sensor which detects all modes of the mechanism.

## 1-1. MODE SW

The composition of the 4 terminals, COM DATA 1, 2, 3, 4, are treated as a 4 bit signal.

POSITION NO	1	2	3	4	5	6	7	8	9	10	11	12	13	14	15	16	17	18	19	20	21	22	23
POSITION NAME	EJECT		SIREW		ES	LOAD		REW		FF		STOP		PLAY		FISLOW		CT		RISLOW		REVERSE	
SWITCH ON/OFF TIMING WHITE=OFF BLACK=ON	M1 SW	■	■	■	■	■	■	■	■	■	■	■	■	■	■	■	■	■	■	■	■	■	■
	M2 SW	■	■	■	■	■	■	■	■	■	■	■	■	■	■	■	■	■	■	■	■	■	■
	M3 SW	■	■	■	■	■	■	■	■	■	■	■	■	■	■	■	■	■	■	■	■	■	■
	M4 SW	■	■	■	■	■	■	■	■	■	■	■	■	■	■	■	■	■	■	■	■	■	■
	COM SW	■	■	■	■	■	■	■	■	■	■	■	■	■	■	■	■	■	■	■	■	■	■
POSITION CODE	COM-M1	0	1	0	1	0	0	1	1	1	1	1	1	1	1	1	1	1	1	0	1	0	1
	COM-M2	0	1	0	1	1	1	1	1	0	1	0	1	1	1	1	1	0	1	1	1	0	1
1=OFF 0=ON	COM-M3	1	1	1	1	1	1	1	1	1	1	0	1	0	1	0	1	1	1	0	1	0	1
	COM-M4	1	1	0	1	0	1	1	0	1	0	1	0	1	1	1	1	1	1	1	1	1	1

MODE SW Equivalent Circuit

## 1-2. CONFIGURATION OF THE TN6500 VCR MECHANISM

### 1-2-1. Cassette Drive Mechanism

The cassette is loaded and ejected via the drive from the capstan motor.

#### (A) Detection of cassette insertion

When an cassette is inserted, the capstan motor starts and simultaneously causes the shutter on the main unit to break the light beam of the Tape Top Sensor. This capstan FG pulse and the Tape Top Sensor change cause the cassette to be pulled into the VCR.

#### (B) Detection of completed cassette insertion operation

This is detected by the Cassette Insertion Switch that is linked to the lever activated when a cassette is inserted.

**Note:** The Cassette Insertion Switch is not included with the deck mechanism.

#### (C) Detection of completed cassette ejection operation

As above, this is detected by the shutter on the shutter detecting the change in the Tape Top Sensor. The light beam that is broken by cassette insertion/ejection is restored when the cassette has been ejected.

### 1-2-2. Tape Loading Mechanism

Tape loading mechanism is the mechanism that is loaded with the tape loading motor linked to the mode switch. The following actions occur when the 4-bit position code output from the mode detection switch is used.

(A) The tape is pulled out of the cassette and wound on the cylinder. (tape loading)

(B) The tape is returned to the cassette. (tape unloading)

(C) Function are switched so that each mechanism can operate.

### 1-2-3. Tape Transportation Mechanism

The tape is fed through the VCR by the action of the capstan, pinch roller and reel drive.

### 1-2-4. Motor

#### (A) Capstan Motor

The drives the capstan axle directly and also drives the reel that has been loaded on the belt. This motor is also used to drive the cassette loading mechanism.

#### (B) Tape Loading Motor

In addition to cassette loading/unloading, this motor also switched between the various operating modes(PLAY, FF/REW etc. )

#### (C) Cylinder Motor

Connected to the rotating head drum and drives the rotating head.

### 1-2-5. Safety Tab Sensor/Lever

This lever detects the tab that operates the REC SAFETY switch.

**Note:** This mechanism does not include the switch.

### 1-2-6. Mode Sensor Switch

This detects the 4-bit code before each position and is connected to the tape loading mechanism.

### 1-2-7. Take-up/Supply Reel Sensor Photoelectric Cell

A luminous diode and phototransistor at the fixed position for the cell comprise the reel sensor. (Pulse rate=8pulses/rotation)

**Note:** This mechanism does not include the luminous diode or the phototransistor.

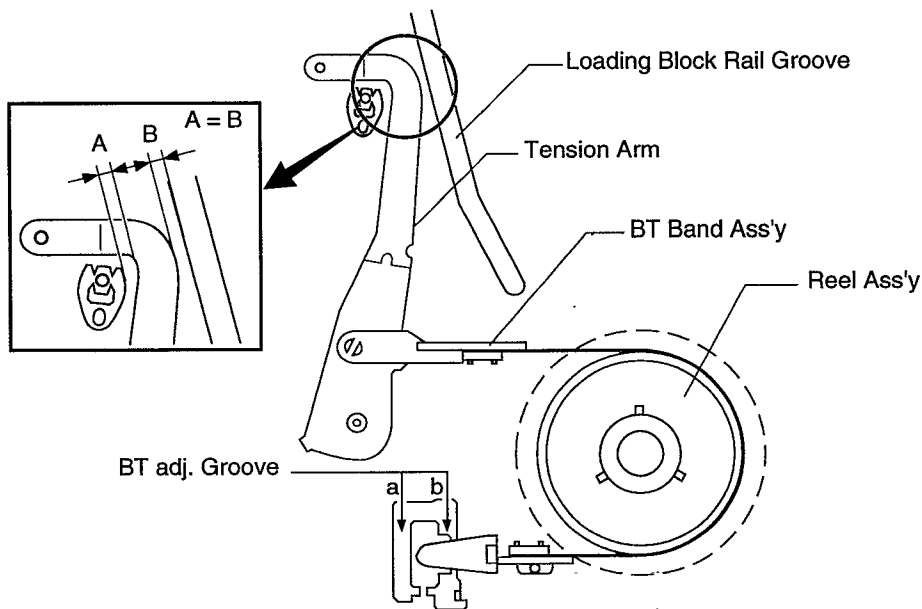
### 1-2-8. Tape Start/End Sensor Photoelectric Cell

A luminous diode and phototransistor at the fixed position for the cell comprise the start/end sensor. (Pulse rate=8pulses/rotation)

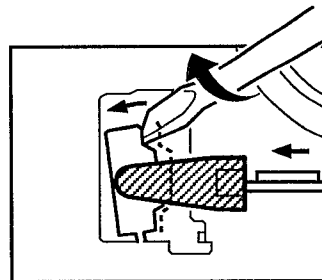
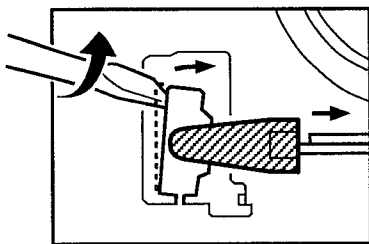
**Note:** This mechanism does not include the luminous diode or the phototransistor.

## 2. ADJUSTMENT OF BT TORQUE IN PLAY MODE (ADJUSTMENT OF THE TENSION ARM POSITON)

1. Remove the FL Ass'y.
2. Rotate the loading pulley with your finger until PLAY mode is reached.
3. Insert a standard screwdriver into the BT adjustment groove (a or b) of the main chassis.  
Twist the screwdriver left and right to adjust gap (A) and gap (B) so that they are the same.



- To reduce the gap (BT torque reduction), insert into adjustment groove "a" and twist counter-clockwise as shown in the figure below.
- To increase the gap (BT torque increase), insert into adjustment groove "b" and twist clockwise as shown in the figure below.

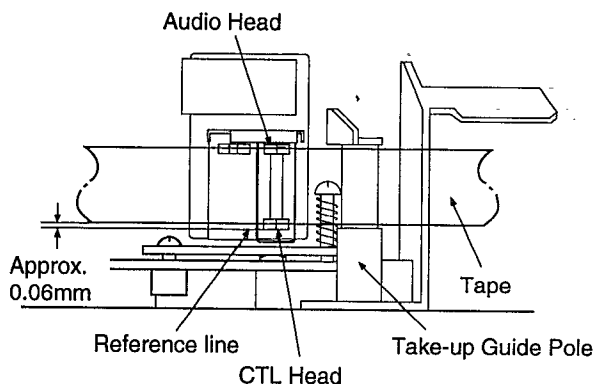


**CAUTION:** Do not twist at too much of an angle. Doing so will have adverse effects on other areas as well.

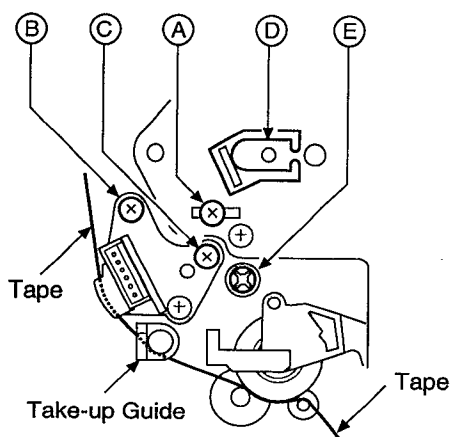


### 3. AUDIO/CTL HEAD

#### 3-1. TAPE TRANSPORT ADJUSTMENT



#### Audio/CTL Head Adjustment



1. Using an ordinary cassette tape, set to CUE mode.
2. Turn screw © and adjust for smooth transport at the take-up guide.

#### 3-2. AUDIO/CTL HEAD HEIGHT AND AZIMUTH ADJUSTMENT

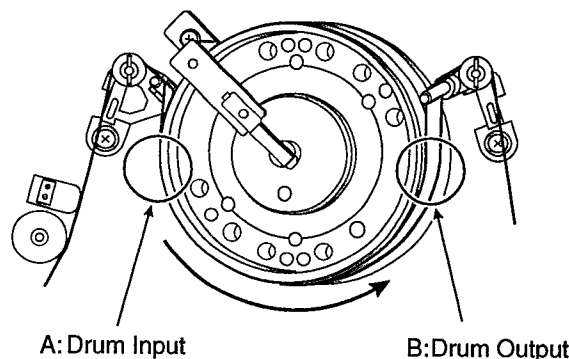
1. Connect the noise meter to the audio output.
2. Play the test tape (1 KHz color bar signal), turn screw ① back and forth a little at a time to set maximum audio output level. (Rotate in a clockwise direction to adjust the settings.)
3. Play the test tape, (8 KHz stair step signal), turn screw ② back and forth a little at a time to adjust the azimuth so that the audio output level will reach a maximum.
4. Play the test tape (1 KHz color bar signal), and make sure that there is no significant change in the audio output level. If a large change remains, turn screw © back and forth a little at a time to adjust so that the level change will reach a minimum.
5. When all adjustment is finished, lock up screw ③.

### 4. TAPE TRANSPORT SYSTEM CHECKS AND ADJUSTMENT

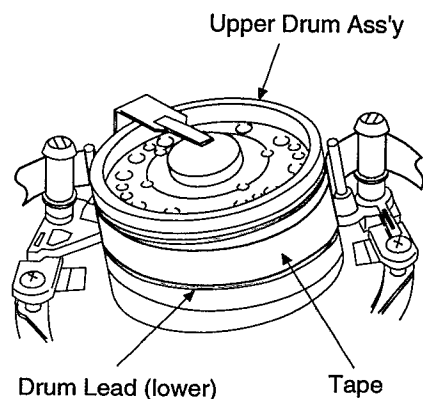
The tape transport system has been precisely aligned at the factory and normally does not require readjustment. The following steps are therefore necessary only in cases of frequent use or when replacing parts which have an effect on the tape transport system.

#### 4-1. TAPE TRANSPORT CHECK

1. Using an ordinary cassette tape, switch back and forth between PLAY and STOP modes several times.
2. During PLAY mode, observe the input and output portions of the tape (A and B in the figure below) of the head drum lead. Confirm that the tape slips neither upward nor downward with respect to the lead as shown in Figure "Drum Lead Check-1".



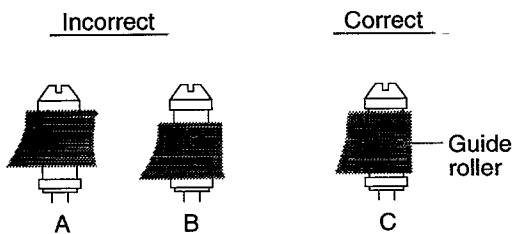
#### Tape Transport Check



#### Drum Lead Check-1

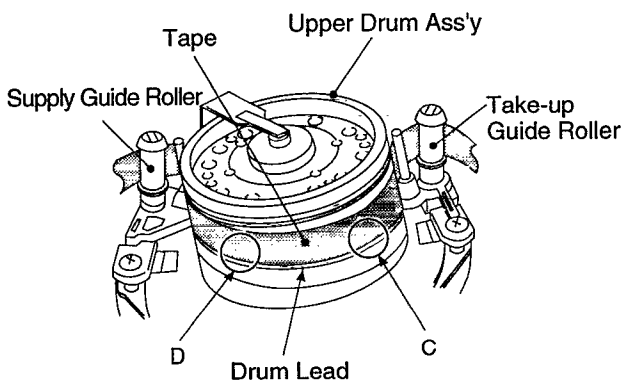
#### NOTES:

1. If the tape slips upward; sound is produced by contact between the tip of rotating heads and the edge of the tape.
2. If the tape slips downward; the tape curls or wrinkles (or makes noise) at its connection with the lead face of the drum lead.
3. During loading, play, and unloading of the cassette tape, observe the tape at the supply guide roller, and take-up guide roller.
4. Make sure that there are no curls or wrinkles as shown in the figure below.



**Guide Roller**

5. Observe the tape as it wraps around the drum during PLAY and separates from the drum during STOP.
6. As shown in the figure below, make sure that there is no damage to C and D and that there is no contact noise between the head tips and tape edge.

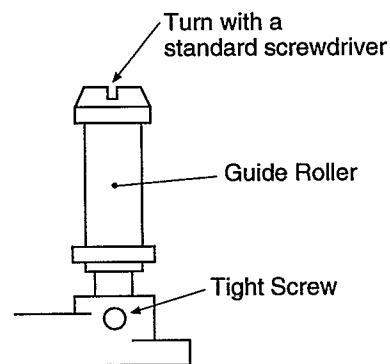


**Drum Lead Check-2**

7. If a defect is detected during check, perform the following procedure for adjusting Guide Roller height.

## 4-2. GUIDE ROLLER HEIGHT ADJUSTMENT

1. Slightly loosen the tight-screw of the supply and take-up guide rollers as shown in the figure below.
2. Using an ordinary cassette tape, set to PLAY mode.
3. With a standard screwdriver, slightly turn the supply guide roller (no more than 180° at a time), and adjust so that at the drum input portion, the tape travels smoothly along the drum lead without slipping upwards or downwards.
4. Similarly, adjust the take-up roller for the drum output.



**Adjusting Guide Roller Height**

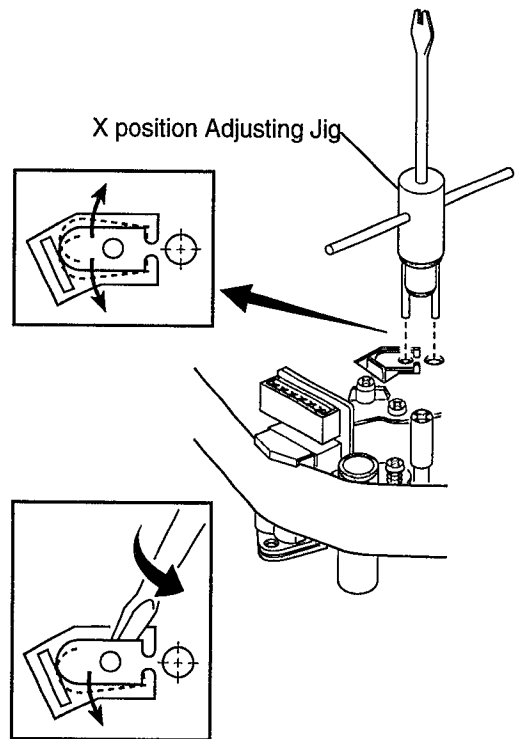
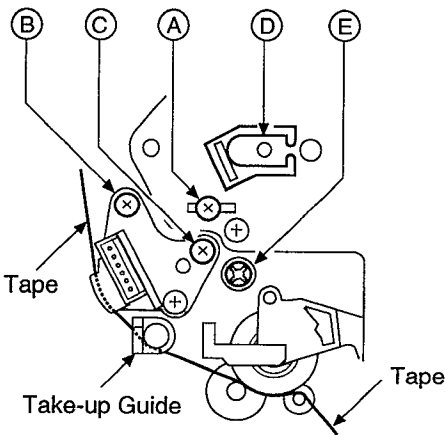
#### NOTES:

1. Loosen the tight-screw only enough to allow the guide rollers to be rotated. Loosening it anymore than that may rotate the roller inadvertently as a result of tape motion.
2. Rotate the roller carefully to avoid damage to the tape.
3. When the adjustment is completed, tighten the screw and set by locking up the screw.

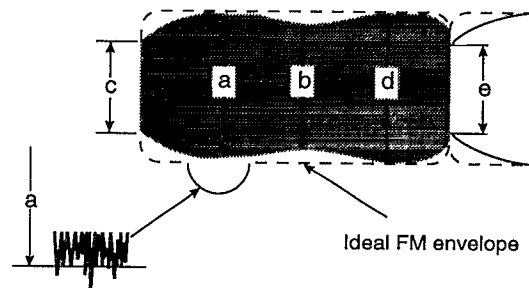
### 4-3. TAPE TRANSPORT CHECK AT THE TAKE-UP GUIDE

In general, no adjustment will be necessary for the take-up guide. However, adjustments or checks will be necessary when replacing the Audio/CTL Head or parts affecting the tape transport system after a long period of operation.

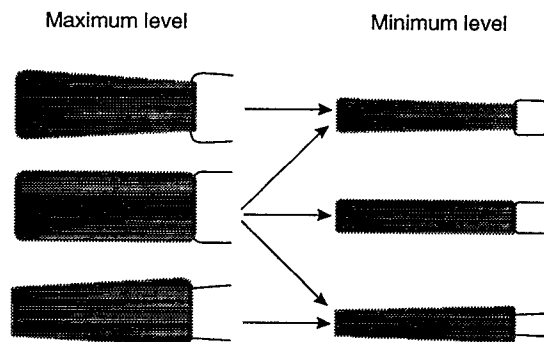
1. Using an ordinary cassette tape, set to PLAY mode.
2. Turn Audio/CTL Head screw ③ as shown in the figure below and adjust for smooth transport at the Take-up Guide.



4. Using the Channel ▼/▲ buttons. Perform the following 3 steps (5-7) by moving the CTL waveform from the TP in both positive (+) and negative (-) directions in 3 ms increments.
5. Refer to the figure below. Read the level of portion (a) of the waveform. If the waveform is serrated at point (a), adjust the level so that the serrations are as smooth as possible (refer to the second figure).



FM Waveform (Maximum Output)



Normal Waveform Examples

## 5. INTERCHANGEABILITY ADJUSTMENT

Before using the test tape, make sure that the tape transport is normal using an ordinary cassette tape. Also, make sure that the switching point (Refer to ELECTRICAL ADJUSTMENT) is adjusted. If they are not, do the following checks after adjusting.

### 5-1. PRELIMINARY CHECKS

#### 1. FM Envelope Waveform Check

1. Connect the CH-1 oscilloscope to TP of PB ENV and CH-2 to TP of CTL. At this time, trigger the oscilloscope externally with the signal (RF Switching Pulse) from TP of RFS.
2. Play the test tape (Stairstep).
3. Use the Channel ▼/▲ buttons to tune the tracking to center position. Adjust point ④ (X value adjustment point: test point reference page 4) so that the FM envelope output at TP of PB ENV reaches a maximum.

6. As shown in the equation below, read the FM waveform value at point (b) and make sure that:

$$\frac{b}{a} \geq 0.75 \text{ or } 20 \log \frac{b}{a} \geq -2.5 \text{ dB}$$

7. Read the values at points (c) and (d) [drum input and output] and make sure that:

$$\frac{c}{a} \geq 0.75 \text{ and } \frac{d}{a} \geq 0.75 \text{ or}$$

$$20 \log \frac{c}{a} = -2.5 \text{ dB and}$$

$$20 \log \frac{e}{a} = -2.5 \text{ dB}$$

**NOTES:**

1. Read the minimum levels for (b), (c), and (d).
2. If above checks yield normal results, proceed to section "ADJUSTMENT".
3. If defects are noted, perform the following FM envelope waveform adjustment.

**2. FM ENVELOPE WAVEFORM ADJUSTMENT**

1. As in the previous section, observe the FM waveform and press the CHANNEL ▼/▲ buttons. Waveform alterations must be nearly parallel to each other as shown in Figure "Normal Waveform Examples" on page 9.
2. If the waveform changes as shown in the figure below, adjustment is necessary.



**Abnormal Waveform Example**

**5-2. ADJUSTMENT**

1. Connect the TP of PB ENV to the oscilloscope CH-1. At this time, trigger the oscilloscope externally with the signal (RF Switching Pulse) from TP of RFS.
2. Play the test tape (Stairstep).

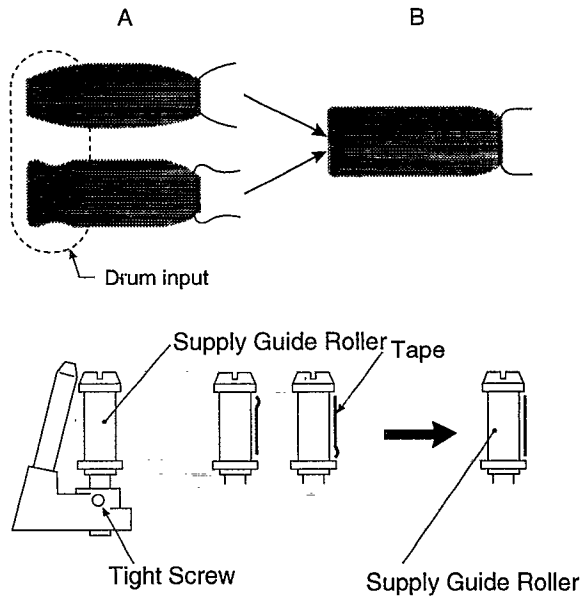
**1. DRUM INPUT ADJUSTMENT**

1. Observe the FM envelope output wave at the TP of PB ENV with the oscilloscope and press the CHANNEL ▼/▲ buttons in both positive (+) and negative (-) directions.
2. A of the following figure shows incorrect waveforms. With a standard screwdriver, adjust the transport guide roller to flatten the peak of the FM envelope waveform as shown in B.

**NOTES:**

1. If the guide roller rotates freely, tighten the screw slightly.
2. Be sure to adjust the guide roller only by small increments at a time to avoid damaging the test tape.

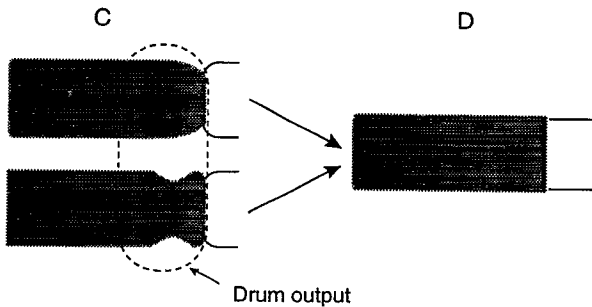
In addition to observing the waveform, make sure that there is no slipping of the tape or curling at the drum lead.



**Drum Input Adjustment**

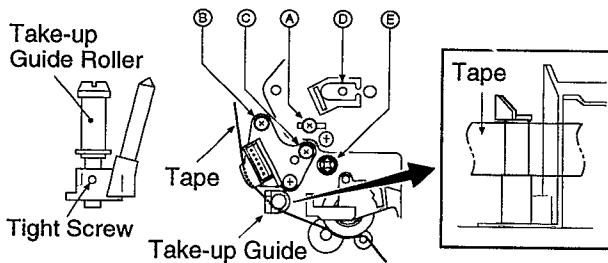
## 2. DRUM OUTPUT ADJUSTMENT

1. Adjust the take-up guide roller so that the FM envelope output flattens as shown in D of the figure below.



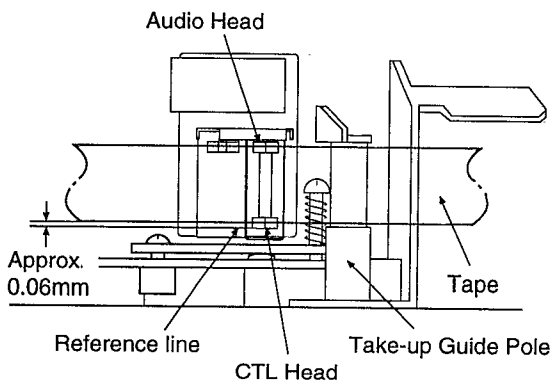
**Drum Output Adjustment**

2. If the tape separates from the guide or wrinkling occurs at the take-up guide, adjust by turning screw © of the Audio/CTL Head as shown in the figure below.



**Take-up Guide**

3. As shown in the figure below, adjust screws © and © and screw © to align the Audio/CTL Head height with the tape.



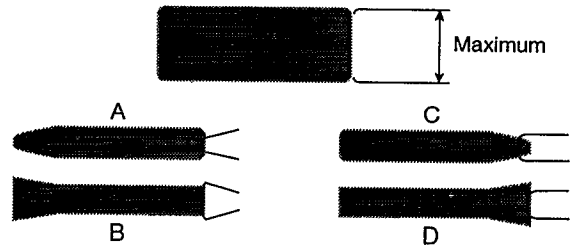
**Audio/CTL Head Height**

### NOTES:

1. Fine adjustments are not required at this time. It is sufficient if the tape is engaged with the guide and that the servo operates properly (control signal picked up).
2. If the tape separates from the take-up guide or wrinkling occurs, screw © must have been excessively tightened with respect to screw © and screw ©, which is causing the Audio/CTL Head to incline forward or backward. Use care in adjusting screws © and ©, and screw © evenly and observe that wrinkles are not produced at the take-up guide.

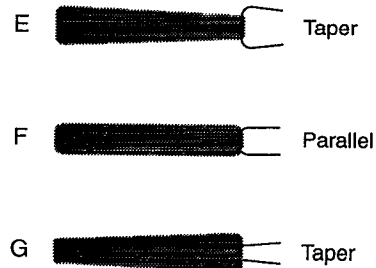
## 5-3. INTERCHANGEABILITY ADJUSTMENT

1. Observe the FM envelope output waveform at the oscilloscope and press to adjust the CHANNEL ▼ / ▲ buttons in both positive(+) and negative(-) directions.



**Minimum FM Output (Incorrect Examples)**

2. If there are waveforms as shown in A or B in the above figure, adjust the supply guide roller height so that the waveform appears as shown by E, F, or G in the figure below. At this time, if the waveform fluctuates, adjust to the point of minimum fluctuation.



**Minimum FM Output (Correct Examples)**

3. If the FM waveform appears as shown by C or D in the above figure, adjust the take-up guide roller height to obtain a waveform such as shown in E, F, or G.

At this time, if the waveform fluctuates, adjust to the point of minimum fluctuation.

4. Vary the tracking control from maximum to minimum FM output.

Perform fine adjustment of supply and take-up guide rollers so that waveform variation appears as shown in E, F, or G.

#### 5-4. AUDIO/CTL HEAD HEIGHT, AZIMUTH AND SLANT

Refer to 3-2 (page 7) for details regarding AUDIO/CTL HEAD HEIGHT AND AZIMUTH ADJUSTMENT.

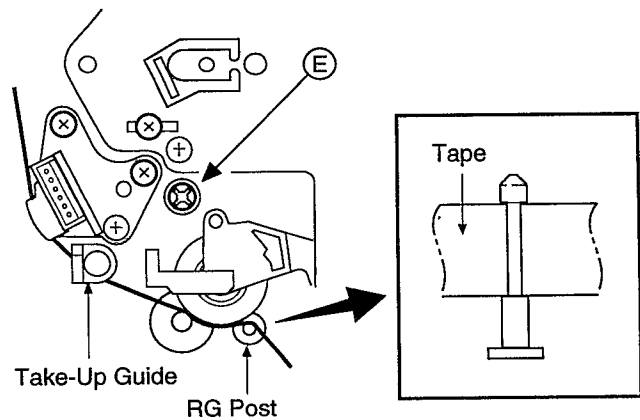
#### 5-5. SETSCREW TIGHTENING

1. Check for maximum FM output waveform, maximum audio output, and be sure that there is no wrinkling on the tape or other transport irregularities. When finished, secure the guide rollers. (This must be performed in STOP mode.)
2. Because the guide rollers are easily moved, use care when securing.
3. After tightening the screws, perform the final interchangeability check.

#### 5-6. FINAL INTERCHANGEABILITY CHECK

Perform preliminary checks referring to section "PRELIMINARY CHECKS" on page 9.

## 6. RG POST HEIGHT ADJUSTMENT



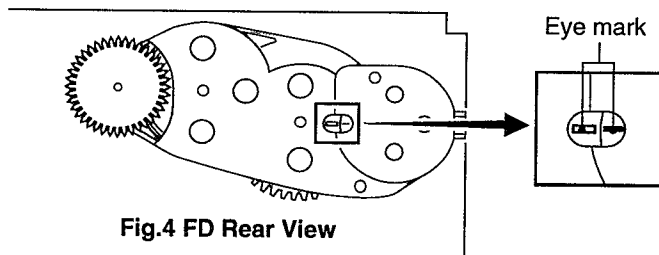
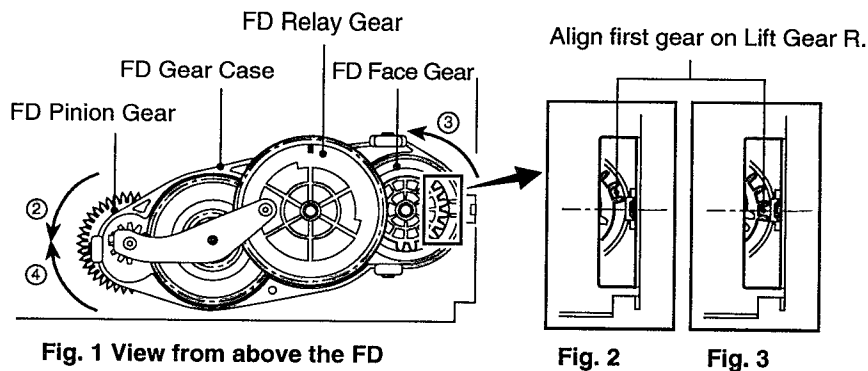
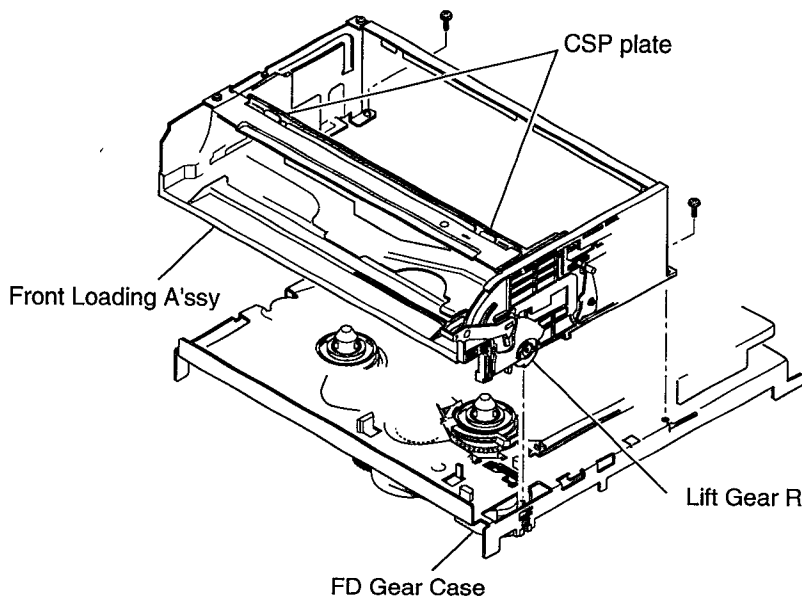
- 1) Use a blank tape and set the VCR to REV mode.
- 2) Adjust the RG Post height adjusting screw (E) so that the tape runs along the lower flange of the Take-Up Guide.

# 7. FRONT LOADING ASSEMBLY ATTACHMENT

To attach the Front Loading Assembly, follow the procedures below.

- 1) Twist the loading motor with your finger until it is in EJECT mode.
- 2) Twist the FD Pinion Gear counterclockwise until it stops. (The FD Face Gear is loose.)
- 3) Twist the FD face Gear counterclockwise until it stops, then apply gentle pressure in the counterclockwise direction.
- 4) In the position at step 2), rotate the FD Pinion Gear clockwise. After about 3 1/2 turns, the FD Pinion Gear should begin to interlock with the FD Relay Gear. Now twist the FD Pinion Gear until it stops. (The assembly should now resemble Fig. 2)
- 5) Twist the FD Pinion Gear about 1/3 of a turn counterclockwise so that the Lift Gear R attachment position is horizontal making attachment easier, as shown in Fig. 3. Also, the FD Relay Gear and FD Face Gear eye marks should be aligned when the MD is viewed from the back. (Fig. 4)
- 6) Attach the front assembly. Insert the first Lift Gear R between the first and second gear of the front assembly. (Fig. 3)

**Note:** Do not touch the CSP plate of the Front Loading Assembly. (Take care not to distort it.)



# PERIODIC MAINTENANCE

The following procedures are recommended for maintaining optimum performance and reliability of this video cassette recorder.

## CLEANING

For cleaning, use a lint-free cloth or gauze dampened with alcohol.

## TAPE TRANSPORT SYSTEM

1. The following components should be cleaned after every 500 hours of use.
  - Impedance Roller
  - Tension Post
  - Transport Slide Post
  - Supply Guide Roller
  - Take-up Slide Post
  - Take-up Guide Roller
  - Video Head & Drum System
  - Drum Ground
  - Audio/CTL Head
  - Pinch Roller
  - Capstan
  - Reverse Guide Post
  - Full Erase Head
  - Tape Guide
  - F Post
2. Since the above parts come in direct contact with video tape, they tend to collect dust particles. If allowed to accumulate, dust may lead to damage to the video tape and above parts.
3. After cleaning with alcohol, allow the parts to dry thoroughly before using a cassette tape.

### NOTE:

- When cleaning the two video heads on the upper drum, do not clean them with a vertical stroke.
- Use only a gentle back and forth motion in the direction of the tape path.

## REEL DRIVE SYSTEM

1. The following components should be cleaned after every 1000 hours of use.

### TOP

- Take-up Reel Table Ass'y
- Supply Reel Table Ass'y
- T Soft Brake Ass'y
- T Main Brake Ass'y
- S Main Brake Ass'y
- BT Band Ass'y

### BOTTOM

- Capstan Motor Pulley
- Clutch Pulley
- Drive Belt
- C Brake

2. The above revolving parts are of rubber or come in direct contact with rubber parts. Dust on rubber accumulates and interferes with proper operation.
3. Avoid using excessive alcohol when cleaning rubber parts.



## SERVICE SCHEDULE FOR MAIN COMPONENTS

The following table lists the parts which should receive periodic servicing at the recommended intervals.

Ref. No	Part No.	Description	Periodic Service Schedule (operating hours)				
			1000	2000	3000	4000	5000
1	62D806501601	Cylinder Ass'y for Deck No.59275	○	●	○	●	○
1	62D806501608	Cylinder Ass'y for Deck No.59279	○	●	○	●	○
90	62D806506301	Pinch Roller Arm Ass'y		●		●	
116	62D806508303	BT Band Ass'y		●		●	
128	62D806509302	Clutch Ass'y		●		●	
131	62D80650920	Drive Belt		●		●	
132	62D806510301	T Main Brake Ass'y		●		●	
133	62D806510302	S Main Brake Ass'y		●		●	
134	62D806510303	T Soft Brake Ass'y		●		●	
61	62D62041520	Audio/CTL Head			●		
80	62D806505301	T Reel Ass'y			○		
81	62D806505302	S Reel Ass'y			○		
100	62D60030360	Capstan Motor Ass'y			○		
142	62D806511303	Loading Motor Ass'y			○		

### Standard Service Periods

○ Check and replace if necessary

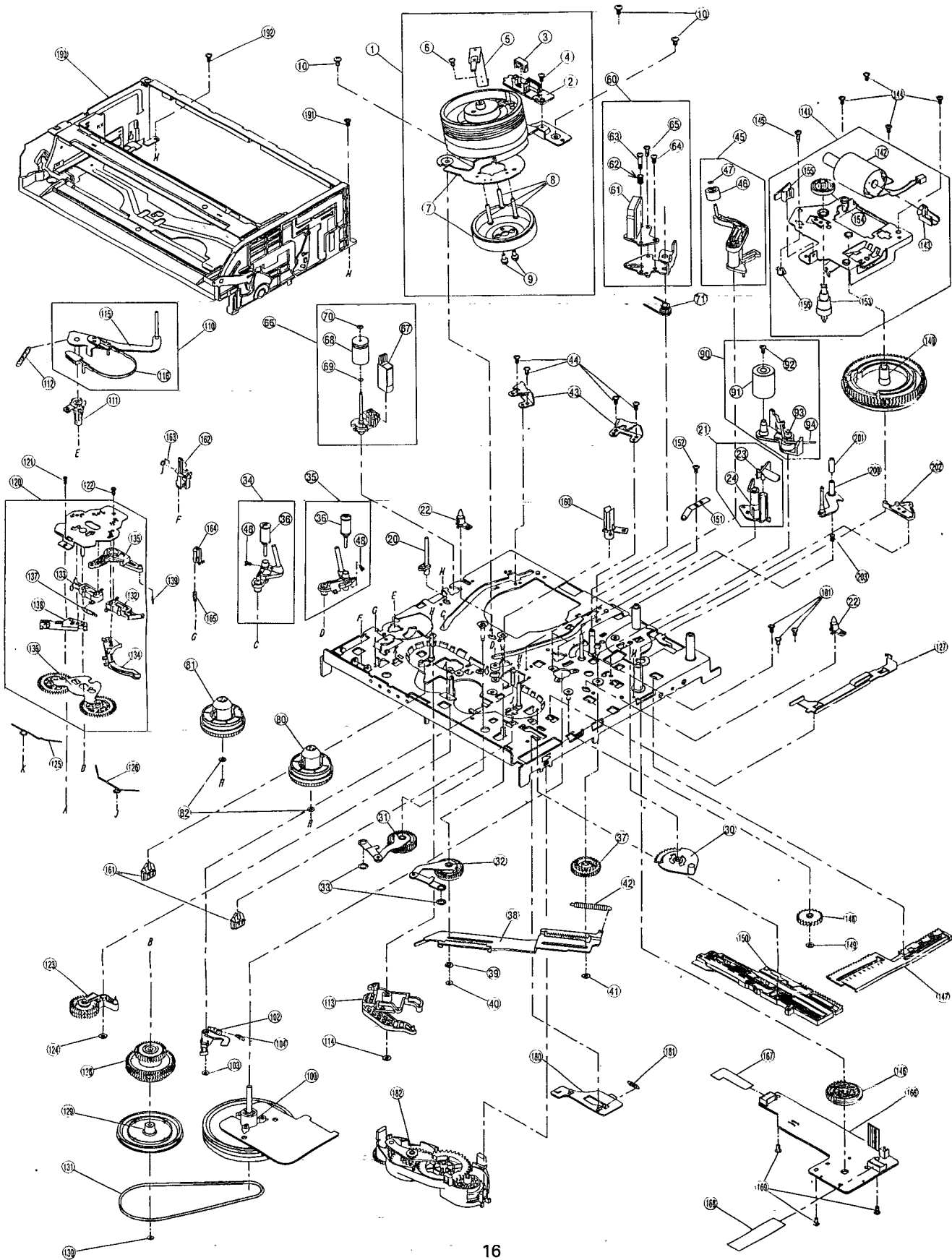
● Replace

#### NOTE:

Cleaning and replacement of the belts should be undertaken every 2 years even if the unit is not used frequently.

# SERVICING DIAGRAM AND PARTS LIST

## 1. CASSETTE DECK ASSEMBLY



## CASSETTE DECK MECHANISM 59275, 59279

Ref. No.	Part No.	Description	
1	62D806501601	CYLINDER ASS'Y	} FOR MV-3030, MV-3050G (DECK NO. 59275)
2	62D806501305	V OUT PWB ASS'Y	
3	62D68070243	FPC4 CONNECTOR (C)	
1	62D806501608	CYLINDER ASS'Y	} FOR MV-4010G (DECK NO. 59279)
2	62D806501306	V OUT PWB ASS'Y	
3	62D68070245	FPC-6 CONNECTOR C	
4	62D9P1226064	TAMS SCREW (TAPPING)S 2.6X6	
5	62D806501501	DRUM EARTH ASS'Y	
6	62D9P0426041	TAPPING SCREW 2.6X4	
7	62D806501316	DRUM MOTOR ASS'Y	
8	62D9P0226151	TAMS SCREW 2.6X15	
9	62D806501315	ROTOR SCREW ASS'Y	
10	62D9P0430051	TAPPING SCREW 3.0X5	
20	62D806502301	F POST METAL ASS'Y	
21	62D806502303	TAPE GUIDE ASS'Y	
22	62D80630223	CASSETTE GUIDE BOSS	
23	62D80650221	TAPE PROTECT	
24	62D806502304	TAPE GUIDE ASS'Y	
30	62D806503502	LOADING LEVER KASIME	
31	62D806303305	LOADING PLATE L ASS'Y	
32	62D806503305	LOADING PLATE R ASS'Y	
33	62D9W0650110	HL WASHER(CUT)4.5X7X0.5	
34	62D806503303	L BLOCK L ASS'Y	
35	62D806503304	L BLOCK R ASS'Y	
36	62D80630309	ROLLER POST	
37	62D80650304	LOADING GEAR	
38	62D80650305	L GEAR PLATE	
39	62D80650311	L GEAR PLATE COLLOR	
40	62D9W0250100	POLYSLIDER WASHER(C)2.1X5X0.5	
41	62D9W0250110	POLYSLIDER WASHER(C)2.6X6X0.5	
42	62D80650310	L GEAR PLATE SPRING	
43	62D80650301	LD CATCHER	
44	62D9P0426051	TAPPING SCREW 2.6X5	
45	62D806503306	HEAD CLEANING ASS'Y	
46	62D80630329	CLEANING ROLLER ASS'Y	
47	62D9W0230050	POLYSLIDER WASHER(C) 1.6X3.8X0.3	
48	62D9C1720233	CAMERA SCREW(FLAT TIP)2.0X2.3	
60	62D806504302	ACE HEAD BASE ASS'Y	
61	62D62041520	ACE HEAD HVMZA1220	
62	62D80000604	AZIMUTH SPRING	
63	62D80000626	AZIMUTH SPRING SCREW	
64	62D9P0930061	SCREW (SHARP-POINTED) 3X6	
65	62D9P0126072	SCREW 2.6X7	
66	62D806504301	FE HEAD BASE ASS'Y	
67	62D62091504	VTR1X2ERS11107	
68	62D806304306	IMPEDANCE ROLLER ASS'Y	

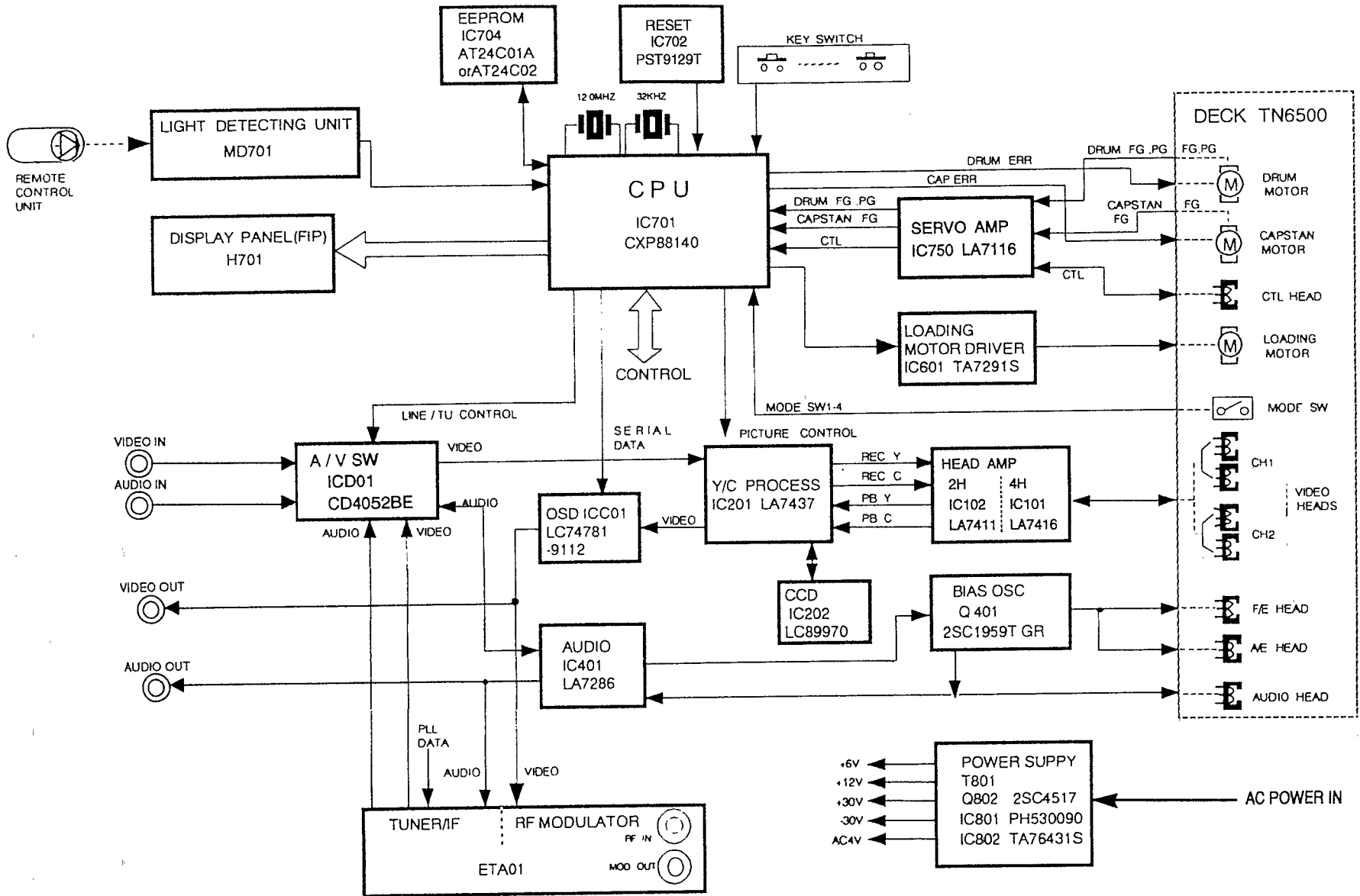
## CASSETTE DECK MECHANISM 59275, 59279

Ref. No.	Part No.	Description
69	62D9W0230050	POLYSLIDER WASHER(C) 1.6X3.8X0.3
70	62D9W0630040	HL WASHER(CUT) 1.55X4.5X0.3
71	62D80650402	HEAD BASE SPRING
80	62D806505301	T REEL ASS'Y
81	62D806505302	S REEL ASS'Y
82	62D9W0330110	NYLON WASHER 2.5X5X0.3
90	62D806506301	PINCH ROLLER ARM ASS'Y
91	62D80650605	PINCH ROLLER
92	62D9B0126041	SCREW,2.6X4MM
93	62D806506501	PINCH ROLLER KASIME
94	62D80650604	PINCH ROLLER SPRING
100	62D60030360	CAPSTAN MOTOR (F2QTB10)
101	62D9P0726061	TAPPING SCREW P 2.6X6
102	62D806507301	C BRAKE ASS'Y
103	62D9W0250100	POLYSLIDER WASHER(C)2.1X5X0.5
104	62D80650702	C BRAKE SPRING
110	62D806508301	TENSION ARM ASS'Y
111	62D80630804	BT ARM METAL
112	62D80650802	BT SPRING
113	62D80650806	BT LEVER
114	62D9W0250110	POLYSLIDER WASHER(C)2.6X6X0.5
115	62D806508302	TENSION ARM SEMI ASS'Y
116	62D806508303	BT BAND ASS'Y
120	62D806509303	SUB PLATE ASS'Y
121	62D9C0426503	CAMERA SCREW(TAPPING)S 2.6X5
122	62D9P0420041	TAPPING SCREW 2.0X4
123	62D806509304	RF CLUTCH ASS'Y
124	62D9W0250110	POLYSLIDER WASHER(C)2.6X6X0.5
125	62D80651009	SS BRAKE SPRING
126	62D80651007	TS BRAKE SPRING
127	62D80651010	TS BRAKE LEVER
128	62D806509302	CLUTCH ASS'Y
129	62D806509301	CLUTCH PULLY ASS'Y
130	62D9W0230060	POLYSLIDER WASHER(C) 2.1X5X0.3
131	62D80650920	DRIVE BELT
132	62D806510301	T MAIN BRAKE ASS'Y
133	62D806510302	S MAIN BRAKE ASS'Y
134	62D806510303	T SOFT BRAKE ASS'Y
135	62D80651113	REVERSE LEVER
136	62D806509307	GEAR PLATE ASS'Y
137	62D80651005	MAIN BRAKE SPRING
138	62D80651008	S SOFT BRAKE ARM
139	62D80651114	REVERSE LEVER PIN
140	62D806511302	CAM GEAR ASS'Y
141	62D806511301	CAM PLATE ASS'Y
142	62D806511303	LOADING MOTOR ASS'Y

## CASSETTE DECK MECHANISM 59275, 59279

Ref. No.	Part No.	Description
143	62D80651111	MOTOR HOLDER
144	62D9P0226051	TAMS SCREW 2.6X5
145	62D9F2226081	ADJUST SCREW 2.6X8
146	62D80651104	M GEAR
147	62D806511305	M GEAR PLATE ASS'Y
148	62D80651107	M RELAY GEAR
149	62D9W0630100	HLW(C) 2.6X6X0.3
150	62D80651108	M SLIDE PLATE
151	62D80651117	R LEVER SPRING PLATE
152	62D9P0426051	TAMS SCREW 2.6X5
153	62D80651103	CAM DRIVE GEAR
154	62D80651110	WORM WHEEL
155	62D80651115	OPEN ANGLE
156	62D80651116	AH ADJUST NUT
160	62D80651301	OPTICAL LEADER
161	62D806513303	RS LEADER
162	62D80651304	REC SWITCH LEVER
163	62D80651305	REC LEVER SPRING
164	62D80651306	IN SWITCH SLIDER
165	62D80651307	IN SW SLIDER SPRING
166	62D806513302	BASE PWB ASS'Y
167	62D80651311	DM LEAD PWB
168	62D80651312	CM LEAD PWB
169	62D9P0426051	TAPPING SCREW 2.6X5
180	62D80651509	FD SLIDE PLATE
181	62D80651510	FD SLIDE PLATE SP
182	62D806515301	FD GEAR CASE ASS'Y
190	62D806516301	FRONT LOADING ASS'Y
191	62D9B0326051	TAPPING SCREW(BIND) 2.6X5
192	62D9P0426051	TAPPING SCREW 2.6X5
200	62D806517501	RG ARM KASIME
201	62D80651703	RG ADJUST NUT
202	62D80651704	RG LEVER
203	62D80651705	RG ARM SPRING

# 2. BLOCK DIAGRAM



### 3. TERMINOLOGY REFERENCE

The following terms have been changed as a result of the use of a new CAD system.

Description	Ref. No.	CAD Code
◆ IC	<u>IC101</u>	<u>LA3373, MT</u>
		No Connection Description (LA3373) <b>Circuit Ref. Number</b> Head Name
◆ Transistor	<u>Q101</u>	<u>2SC2785T, E, F</u>
		Rank No Connection Description (2SC2785) <b>Circuit Ref. Number</b> Head Name
◆ Diode	<u>D101</u>	<u>1S2835T</u>
		No Connection Description (1S2835) <b>Circuit Ref. Number</b> Head Name
◆ Resistor	<u>R101</u>	<u>RC102F</u>
		Tolerance F: ±1 % G: ±2 % J: ±5 % (No Mark) K: ±10% M: ±20% H: No Connection Resistance (10 x 10 <sup>2</sup> = 1000 ohms) Carbon Resistor 1/6W <b>Circuit Ref. Number</b> Head Name
	R102	<u>RA1R1</u>
		Resistance (1.1 ohm) Decimal Point Mark Chip Resistor 2125 Type 1/10W
◆ Capacitor (Chip)	<u>C101</u>	<u>CA200C</u>
		Temperature Characteristic C: CH, CJ, CK U: UJ S: SL B: B D: D <b>Capacitance (20 x 10<sup>0</sup> = 20pF)</b> Chip Capacitor 2125 Type <b>Circuit Ref. Number</b> Head Name
◆ Capacitor (Ceramic)	C101	<u>SL1R5H or S or Z</u>
		No Connection <b>Capacitance (1.5pF)</b> Decimal Point Mark Characteristic (Ceramic SL)
◆ Capacitor (Electrolytic)	C101	<u>ES1/50H or F or Z</u>
		No Connection Voltage Proof (50V) <b>Capacitance (1µF)</b> Electrolytic SSM Type
◆ Hybrid IC	IC102	HIC*****
◆ CR Component	CR101	CR*****
◆ In-Line Block	IB101	IB*****
◆ Surge Absorber	D102	Z*****
◆ LED	LD101	LED*****
◆ LCD	H101	LCD*****
◆ FIP	H102	FIP*****
◆ Pilot Lamp	PL101	PL*****
◆ Neon Bulb	NE101	NE*****
◆ Trimmer Cap.	C102	CT*****
◆ CFC Assy	C103	CFC*****
◆ Coil	L101	L*****
◆ Filter	F101	F*****
		Code No. (3 ~ 8 Column → 11*****0) Code No. (3 ~ 8 Column → 11*****0) Code No. (3 ~ 8 Column → 11*****0) Code No. (3 ~ 8 Column → 13*****0) Code No. (3 ~ 8 Column → 14*****0) Code No. (3 ~ 8 Column → 14*****0) Code No. (3 ~ 8 Column → 14*****0) Code No. (3 ~ 8 Column → 14*****0) Code No. (3 ~ 8 Column → 14*****0) Code No. (3 ~ 8 Column → 14*****0) Code No. (5 ~ 9 Column → 1591*****) Code No. (5 ~ 9 Column → 1501*****) Code No. (3 ~ 8 Column → 17*****0) Code No. (3 ~ 8 Column → 17*****0)

Description	Type	Capacitance Limit	No Marked Tolerance
Chip	CK, CJ, CH, UJ CH, UJ CH, SL SL, B D	1PF ~ 5PF 6PF ~ 10PF 12PF ~ 470PF 680PF ~ 0.022µF 0.033µF ~ 0.1µF	C (±0.25PF) D (±0.5PF) J (±5%) K (±10%) M (±20%)
Ceramic	General B	1PF ~ 5PF 6PF ~ 10PF 12PF ~ 270PF 100PF ~ 680PF	C D J K
Semi-Conductor	SR BC	0.001µF ~ 0.068µF 0.1µF ~ 0.2µF	K Z (-20% ~ +80%)
Mylar (M)		0.001µF ~ 0.1µF	J
TF		0.1µF ~ 0.47µF	J
PS, NPS		470PF ~ 1000PF	G (±2%), J
ALSICON (AS)		0.1µF ~ 0.22µF	M
Tantalum (TA)		0.15µF ~ 10µF	M
Electrolytic	General	0.1µF ~ 220µF	M

Head	Description	Head Name	Description
ET	Electrolytic Tuner	NE	Neon Bulb
MT	Manual Tuner	PL	Pilot Lamp
PT	Push Button Tuner	C*	Capacitor
K	Relay	R**	Resistor
MC	Microphone	L	Transformer
SP	Speaker	L	Coil, Inductor
IC	IC, Hybrid IC	F	Ceramic Filter, Crystal
IB	In-Line Block	W	Printed Circuit Board
CR	CR Component	BL	Block PC Ass'y
Q	Transistor	P	Connector Post
D	Diode, Surge Absorber	TP	Check Pin
LD	LED	AJ	Antenna Jack
H	LCD	SW	Switch
H	FIP	VR	Volume

CAD Code	*Capacitor
CA****	Chip Capacitor 2125 Type
CB****	Chip Capacitor 3216 Type
SL****	Ceramic Capacitor SL Type
B****	Ceramic Capacitor B Type
F****	Ceramic Capacitor F Type
CH****	Ceramic Capacitor CH Type
LH****	Ceramic Capacitor LH Type
PH****	Ceramic Capacitor PH Type
RH****	Ceramic Capacitor RH Type
SH****	Ceramic Capacitor SH Type
TH****	Ceramic Capacitor TH Type
UJ****	Ceramic Capacitor UJ Type
SR****	Semi-Conductor Cap. SR Type
BC****	Semi-Conductor Cap. BC Type
M****	Mylar Capacitor
TF****	TF Capacitor
NP****	NPS Capacitor
AS**/**	ALSICON Capacitor
TA**/**	Tantalum Capacitor
ES**/**	Electrolytic Cap. SSM Type
ESL**/**	Electrolytic Cap. SSM-L Type
ESH**/**	Electrolytic Cap. SSM-H Type
ESB**/**	Electrolytic Cap. Bi-Polar
EG**/**	Electrolytic Cap. GSM Type
EE** **	Electrolytic Cap. SEM Type

CAD Code	*Capacitor
EA**/**	Electrolytic Cap. Aibis Type
EL**/**	Electrolytic Cap. LSM Type
EH**/**	Electrolytic Cap. HPW Type
CT*****	Trimmer Capacitor

CAD Code	**Resistor
RA****	Chip Resistor 2125 Type
RB****	Chip Resistor 3216 Type
RC****	Carbon Resistor 1/6W S Type
RD****	Carbon Resistor 1/4W U Type
RU****	Carbon Resistor 1/6W U Type
RF****	Carbon Resistor 1/2W S Type
RK** *F	Metal Film Resistor 1/4W S ±1%
RL** *F	Metal Film Resistor 1/6W S ±1%
RP****	Metal Oxide Resistor 1W S Type
RQ****	Metal Oxide Resistor 2W S Type
RM****	Cement Resistor 5W S Type
RV****	Variable Resistor Vertical Type 6φ
RV** *A	Variable Resistor Vertical Metal 6φ
RV** *B	Variable Resistor Down Type 6φ
RV** *C	Variable Resistor Vertical 6φ 4 pin
PR****	Printed Resistor (on PC Board)



# 5. IC, TRANSISTOR LEAD IDENTIFICATION

<p>TYPE NUMBER</p> <p>E C B</p>	<p>2SC2458T-Y,GR RN1203.TPE4 DTA124EST 2SA1048-GR</p>
---------------------------------	---

<p>E C B</p>	<p>2SC4517</p>
--------------	----------------

<p>REF A K</p>	<p>TA76431S KIA431AT</p>
----------------	------------------------------

<p>E C B</p>	<p>2SD1581</p>
--------------	----------------

<p>E C B</p>	<p>2SD2132T-V,W 2SC1959T-GR</p>
--------------	-------------------------------------

<p>OUT IN G</p>	<p>PST9129T</p>
-----------------	-----------------

<p>1 4 2 3</p>	<p>PH530090</p>
--------------------	-----------------

<p>1 9</p>	<p>TA7291S</p>
------------	----------------

<p>1 8 4 5</p>	<p>AT24C01A AT24C02</p>
--------------------	-----------------------------

<p>1 10 5 6</p>	<p>LA7356</p>
---------------------	---------------

<p>1 14 7 8</p>	<p>SDA5642</p>
---------------------	----------------

<p>1 16 8 9</p>	<p>CD4052BE</p>
---------------------	-----------------

<p>1 22 11 12</p>	<p>LC89970</p>
-----------------------	----------------

<p>1 24 12 13</p>	<p>LA7411 LA7156 LA7116 LA7286 LC74781</p>
-----------------------	--

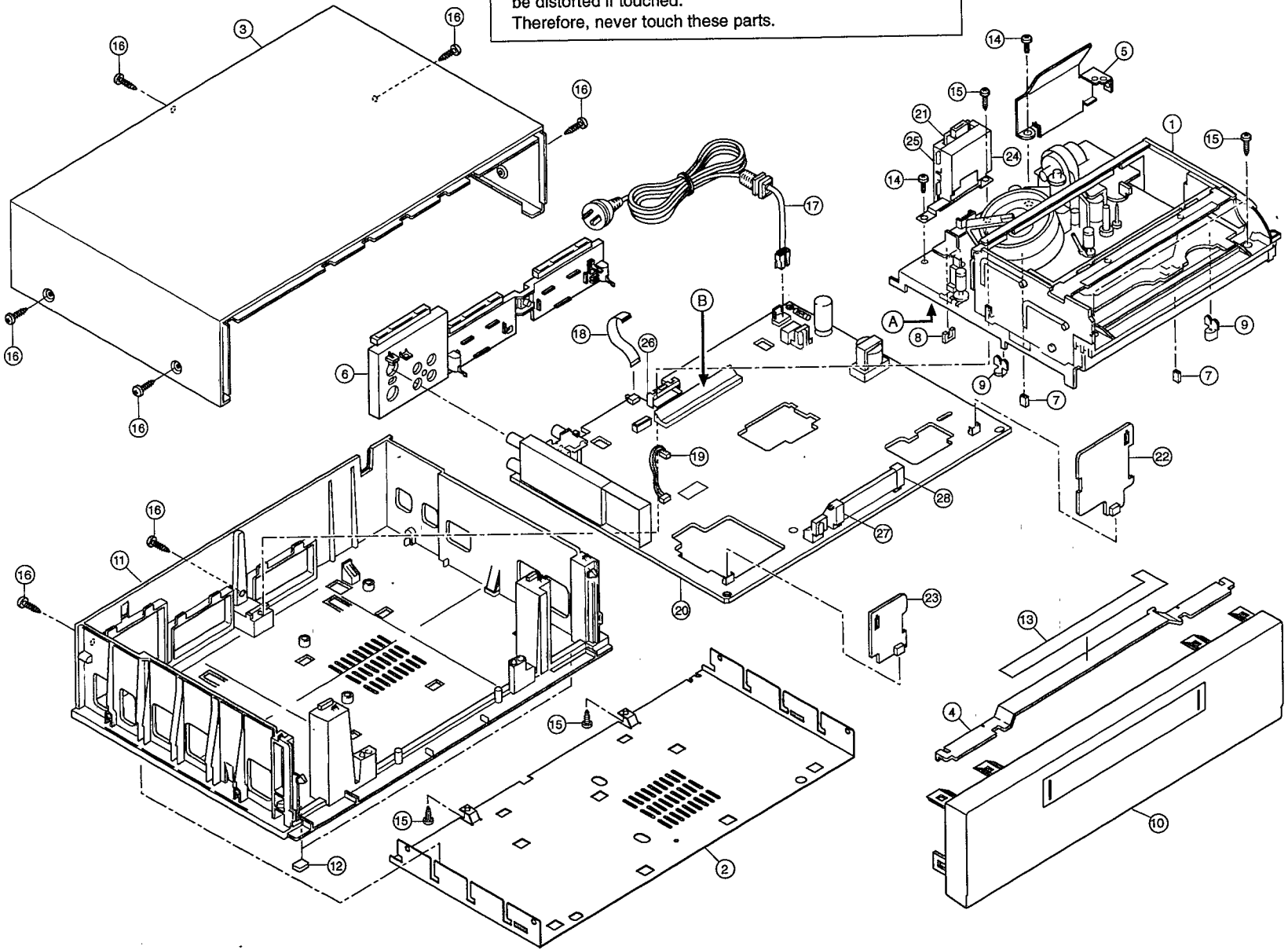
<p>1 30 15 16</p>	<p>LA7416</p>
-----------------------	---------------

<p>1 42 21 22</p>	<p>LA7437</p>
-----------------------	---------------

<p>80 51 81 50 100 31 1 30</p>	<p>CXP88140-XXXQ</p>
--	----------------------

**6. CABINET & CHASSIS ASSEMBLY**

\* Never touch the gold plated part on the Base PWB Ass'y  
Ⓐ as oil or other dirt will cause the electrical connection to deteriorate.  
The spring connection point Ⓑ of the connector will also be distorted if touched.  
Therefore, never touch these parts.



# 7. PARTS LIST FOR FINAL ASSEMBLY

## CABINET & CHASSIS

Ref. No.	Part No.	Description
1	59275	DECK MECHANISM (59275) FOR MV-3030/MV-3050G
	59279	DECK MECHANISM (59279) FOR MV-4010G
2	21046150	COVER (BOTTOM) PAL
3	21046171	COVER (TOP) PAL
4	21175771	BKT (BAR)
5	21234720	S.PLATE (AUD)
6	22127770	REAR PANEL (RCA)
7	22151730	SPACER DECK-S
8	22151740	SPACER DECK-L
9	22151750	SPACER (DECK-2)
10	22328241	FACE PLATE ASS'Y (22328241) FOR MV-3030
	22328250	FACE PLATE ASS'Y (22328250) FOR MV-3050G
	22328260	FACE PLATE ASS'Y (22328260) FOR MV-4010G
11	22703591	CHASSIS
12	25350970	CUSHION
13	28004430	INSULATOR
14	2952305A	DPBS-3X5SSA
15	2953310A	DPBB-3X10SSA
16	2953310C	DPBB-3X10SSC
17	26021610	N801 POWER CORD
18	194001090	N201 FLEXIBLE WIRE 9P FOR MV-3030/MV-3050G
	194001100	N201 FLEXIBLE WIRE 11P FOR MV-4010G
19	1963104E0	N401 QS-CONN-8283-02 ##
20*	35N9910/36E5410	MAIN CIRCUIT BOARD FOR MV-3030
	35P5210/36E9510	MAIN CIRCUIT BOARD FOR MV-3050G
	35Q7310/36E9710	MAIN CIRCUIT BOARD FOR MV-4010G
21*	35N7140/36E2940	HEAD CIRCUIT BOARD FOR MV-3030/MV-3050G
	35N7340/36E3140	HEAD CIRCUIT BOARD FOR MV-4010G
22*	35N5420/36E8120	SUB1 CIRCUIT BOARD (35N5420/36E8120)
23*	35N5430/36E3030	SUB2 CIRCUIT BOARD (35N5430/36E3030)
24	21234740	SHIELD PLATE (HEAD)
25	21234751	SHIELD PLATE (B-HA)
26	21234760	SHIELD PLATE (DECK)
27	22127610	HOLDER FIP-L
28	22127620	HOLDER FIP-R

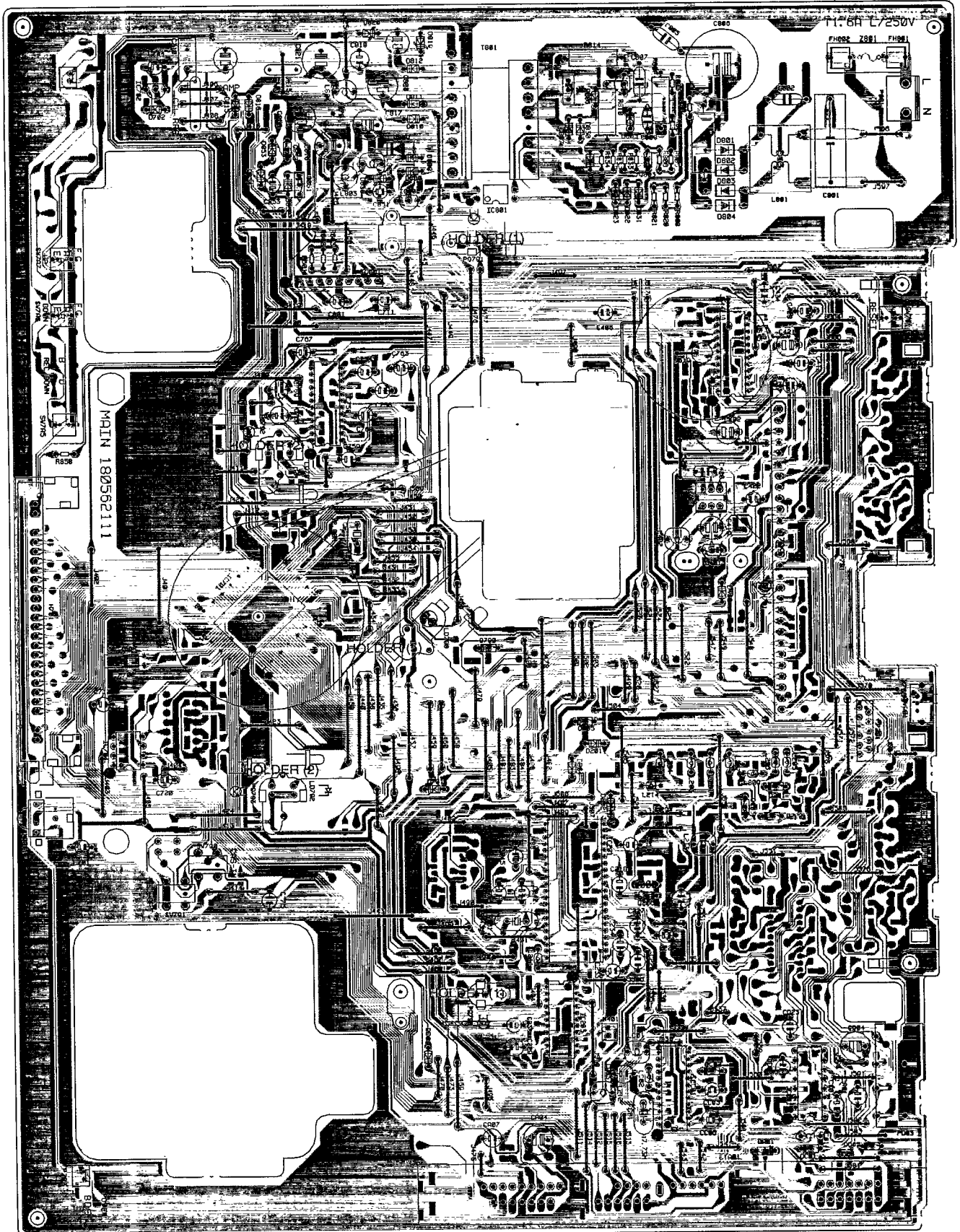
For details of item marked\*, refer to pages 26 ~ 39.

## ACCESSORIES

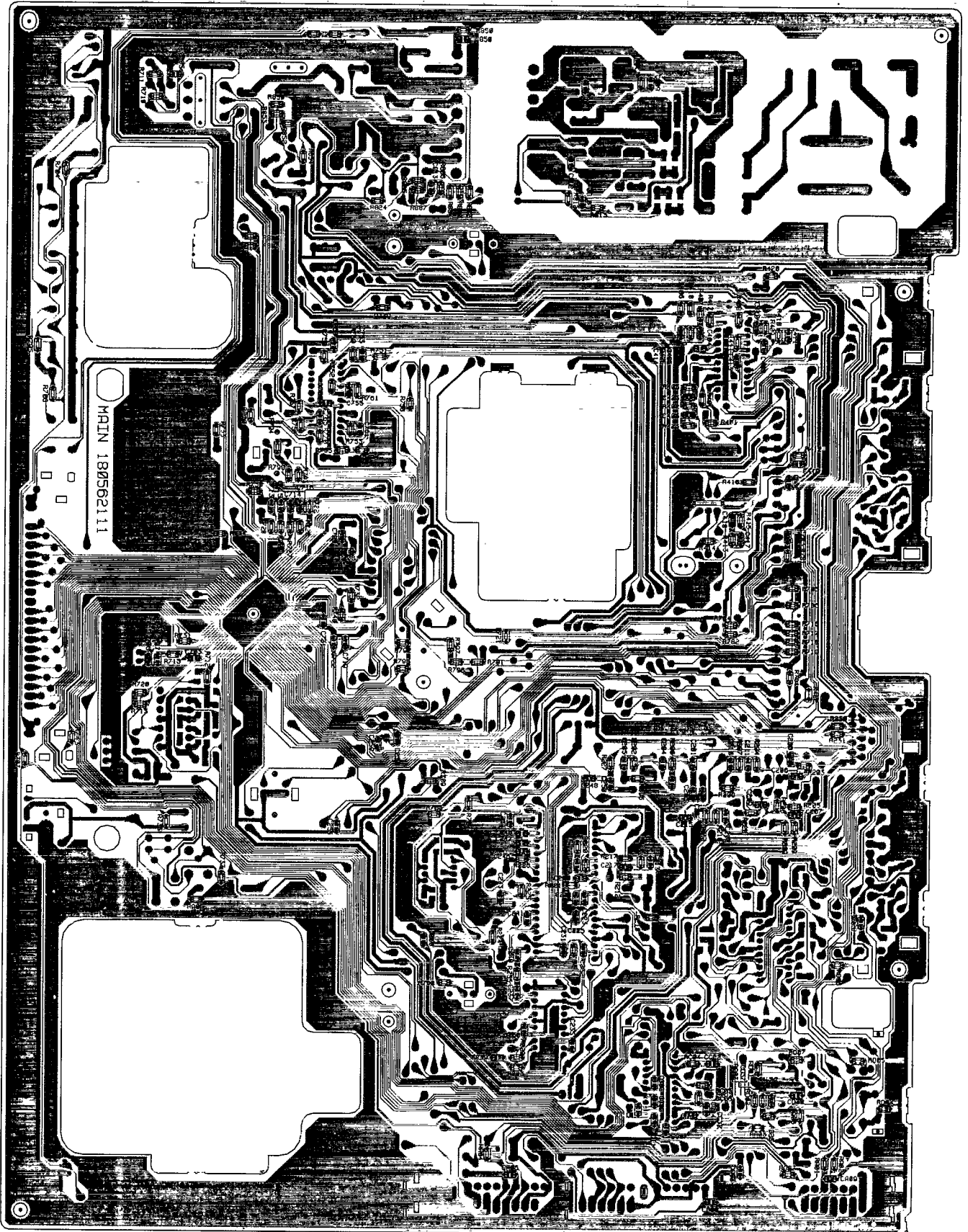
Item	Model	MV-3030	MV-3050G	MV-4010G
REMOTE CONTROLLER		RC-632 1080632H0	RC-647 1080647H0	
IN-BOX		28528330	28528340	28528350
MANUAL KIT		28938390		28938410

## 8. PC BOARD ASS'Y (MAIN) PARTS LOCATION (MV-3030/MV-3050G)

### PC BOARD ASS'Y (MAIN)

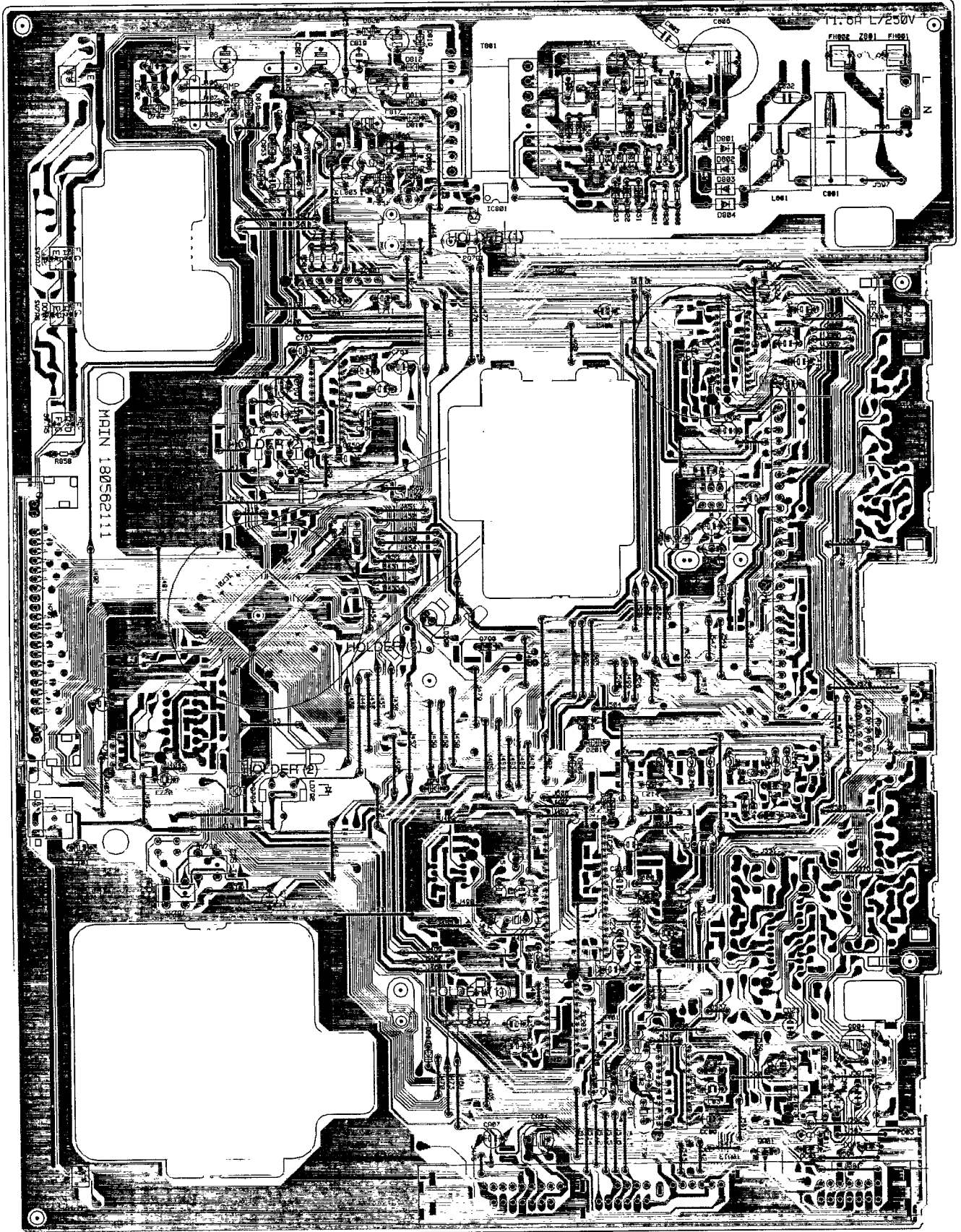


PC BOARD ASS'Y (MAIN)



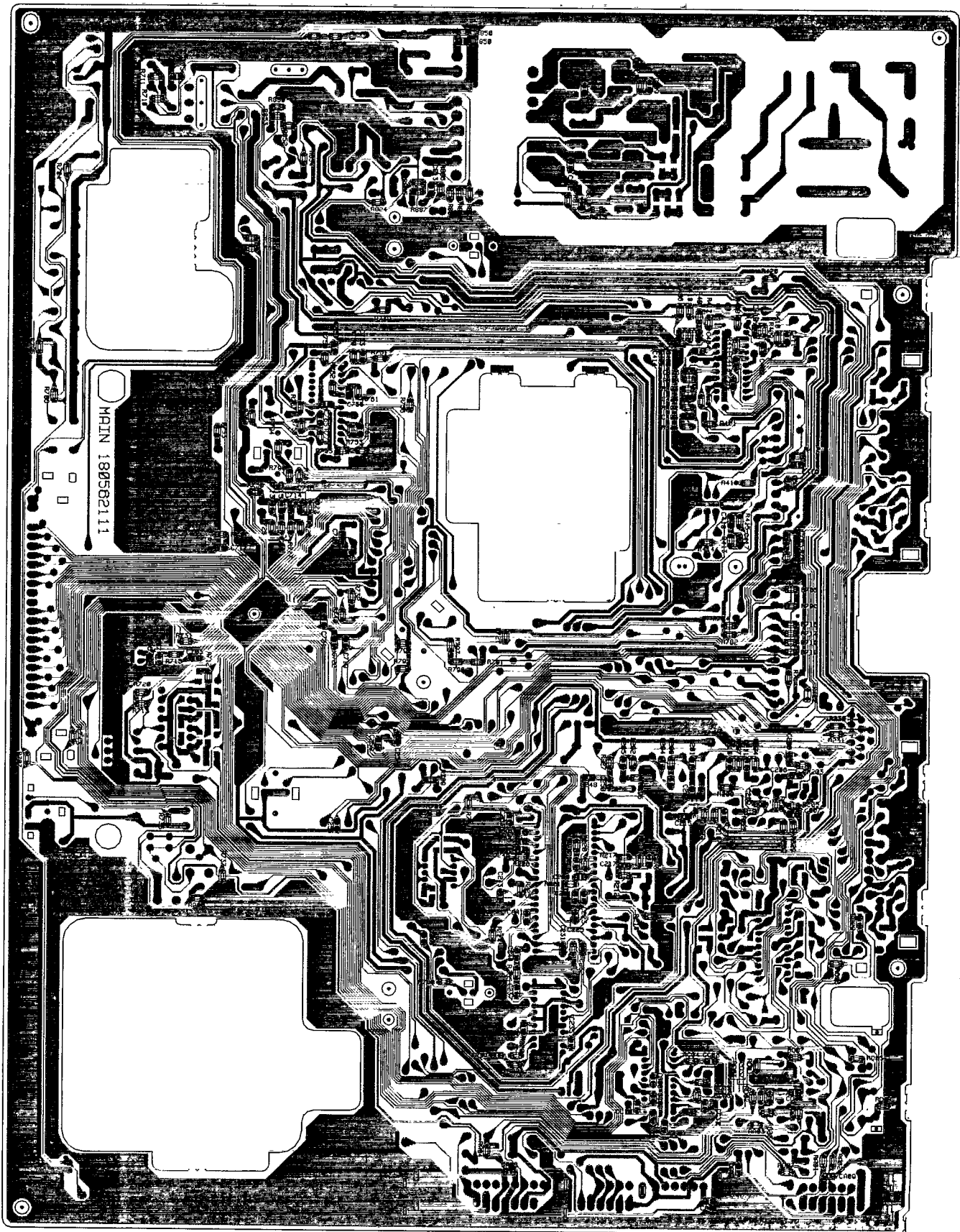
# PC BOARD ASS'Y (MAIN) PARTS LOCATION (MV-4010G)

## PC BOARD ASS'Y (MAIN)





PC BOARD ASS'Y (MAIN)



## 9. PC BOARD ASS'Y (MAIN) PARTS LIST

PC BOARD ASS'Y (MAIN) 35N9910/36E5410 FOR MV-3030

PC BOARD ASS'Y (MAIN) 35P5210/36E9510 FOR MV-3050G

PC BOARD ASS'Y (MAIN) 35Q7310/36E9710 FOR MV-4010G

Ref. No.	Part No.	Description
C201, C219	157F3910E	CAPACITOR,CHIP,390PF 50V
C202, C217	15781810E	CAPACITOR,CHIP,180PF 50V
C203	15715600E	CAPACITOR,CHIP,56PF 50V
C204, C209	15712200E	CAPACITOR,CHIP,22PF 50V
C205, C212	157C1030E	CAPACITOR,CHIP,0.01UF 25V
C206	15717R00E	CAPACITOR,CHIP,7PF 50V
C207	15711200E	CAPACITOR,CHIP,12PF 50V
C210, C240	15711010E	CAPACITOR,CHIP,100PF 50V
C211	15785610E	CAPACITOR,CHIP,560PF 50V
C213, CC02	15714700E	CAPACITOR,CHIP,47PF 50V
C215, C235	157C1030E	CAPACITOR,CHIP,0.01UF 25V
C216, C218	155310625	CAPACITOR,ELECTROLYTIC,10UF 16V
C220, CC10	15713300E	CAPACITOR,CHIP,33PF 50V
C221, C223	157C2230E	CI-2125F223Z25-CT
C222, C227	155310625	CAPACITOR,ELECTROLYTIC,10UF 16V
C225, C230	157B1040E	CAPACITOR,CHIP,0.1UF 25V
C226, C229	1553476G5	CAPACITOR,ELECTROLYTIC,47UF 16V
C228, C233	155610525	CAPACITOR,ELECTROLYTIC,1UF 50V
C231, C232	157C2230E	CI-2125F223Z25-CT
C234, C601	155310625	CAPACITOR,ELECTROLYTIC,10UF 16V
C236, C254	157C1030E	CAPACITOR,CHIP,0.01UF 25V
C237, C241	157C2230E	CI-2125F223Z25-CT
C238, C242	155610525	CAPACITOR,ELECTROLYTIC,1UF 50V
C239, C404	157B1040E	CAPACITOR,CHIP,0.1UF 25V
C243, C247	157A4730E	CAPACITOR,CHIP,0.047UF 25V
C244, C245	155610525	CAPACITOR,ELECTROLYTIC,1UF 50V
C246, C403	157A1030E	CAPACITOR,CHIP,0.01UF 25V
C248, C758	157C2230E	CI-2125F223Z25-CT
C249	157A4730E	CAPACITOR,CHIP,0.047UF 25V
C250, C717	15711010E	CAPACITOR,CHIP,100PF 50V
C253	15781210E	CAPACITOR,CHIP,120PF 50V
C255, C259	157C1030E	CAPACITOR,CHIP,0.01UF 25V
C260, C418	157C1030E	CAPACITOR,CHIP,0.01UF 25V
C263	157C1050E	CAPACITOR,CHIP,1UF 16V
C401, C412	155610525	CAPACITOR,ELECTROLYTIC,1UF 50V
C402, C419	155347625	CE-SSM47M16-FT
C405, C409	157B1040E	CAPACITOR,CHIP,0.1UF 25V
C406, C851	155633525	CAPACITOR,ELECTROLYTIC,3.3UF 50V
C408	155447525	CAPACITOR,ELECTROLYTIC,4.7UF 25V
C410, C411	157A1030E	CAPACITOR,CHIP,0.01UF 25V
C413, C602	157B1040E	CAPACITOR,CHIP,0.1UF 25V



**PC BOARD ASS'Y (MAIN) 35N9910/36E5410 FOR MV-3030**  
**PC BOARD ASS'Y (MAIN) 35P5210/36E9510 FOR MV-3050G**  
**PC BOARD ASS'Y (MAIN) 35Q7310/36E9710 FOR MV-4010G**

Ref. No.	Part No.	Description
C414, C416	157A1520E	CAPACITOR,CHIP,1500PF 50V
C415	157F1820E	CAPACITOR,CHIP,1800PF 50V FOR MV-4010G
C417, C705	157A1030E	CAPACITOR,CHIP,0.01UF 25V
C420	153C47305	CAPACITOR,MYLAR,0.047UF 100V
C421	155347625	CE-SSM47M16-FT
C422, C756	155647425	CAPACITOR,ELECTROLYTIC,0.47UF 50V
C423	157F2720E	CAPACITOR,CHIP,2700PF 50V
C424	155310725	CAPACITOR,ELECTROLYTIC,100UF 16V
C425	157F5620E	CAPACITOR,CHIP,5600PF 50V FOR MV-4010G
C701, C711	155310625	CAPACITOR,ELECTROLYTIC,10UF 16V
C702	1552227G5	CAPACITOR,ELECTROLYTIC,220UF 10V
C703, C721	157B1040E	CAPACITOR,CHIP,0.1UF 25V
C704	155322625	CAPACITOR,ELECTROLYTIC,22UF 16V
C706, C707	15712200E	CAPACITOR,CHIP,22PF 50V
C708, C709	15712200E	CAPACITOR,CHIP,22PF 50V
C710	1507015C5	CAPACITOR,SUPER,DFM479Z5T
C712, C720	155310625	CAPACITOR,ELECTROLYTIC,10UF 16V
C713, C715	157A3320E	CAPACITOR,CHIP,3300PF 50V
C714, C765	157A1020E	CAPACITOR,CHIP,1000PF 50V
C716	157A1030E	CAPACITOR,CHIP,0.01UF 25V
C717	15711010E	CAPACITOR,CHIP,100PF 50V FOR MV-4010G
C719, CD38	15784710E	CAPACITOR,CHIP,470PF 50V
C722, CC12	157B1040E	CAPACITOR,CHIP,0.1UF 25V
C753, C768	157C1030E	CAPACITOR,CHIP,0.01UF 25V
C754, C759	155310625	CAPACITOR,ELECTROLYTIC,10UF 16V
C755, C761	15711010E	CAPACITOR,CHIP,100PF 50V
C762, C763	155310625	CAPACITOR,ELECTROLYTIC,10UF 16V
C766, C769	1553476G5	CAPACITOR,ELECTROLYTIC,47UF 16V
C767, CD01	155310625	CAPACITOR,ELECTROLYTIC,10UF 16V
C775, CC03	155610525	CAPACITOR,ELECTROLYTIC,1UF 50V
C783, CA02	157C2230E	CI-2125F223Z25-CT
C801	150907300	CC-PA104L250
C802	150908210	CC-KC472M250
C805	150908850	CC-ECKDNA332M250
C806	155K476G0	CAPACITOR,ELECTROLYTIC,47UF 400V
C807	150907710	CC-B103K500
C808	150908015	CC-SL560J1000-FT
C809	157A3320E	CAPACITOR,CHIP,3300PF 50V
C810, CA08	157F8220E	CAPACITOR,CHIP,8200PF 50V
C811	157A2730E	CAPACITOR,CHIP,0.027UF 25V
C812	157A2230E	CAPACITOR,CHIP,0.022UF 25V
C813	157A3330E	CAPACITOR,CHIP,0.033UF 25V
C817, C818	1553477M5	CAPACITOR,ELECTROLYTIC,470UF 16V

**PC BOARD ASS'Y (MAIN) 35N9910/36E5410 FOR MV-3030**  
**PC BOARD ASS'Y (MAIN) 35P5210/36E9510 FOR MV-3050G**  
**PC BOARD ASS'Y (MAIN) 35Q7310/36E9710 FOR MV-4010G**

Ref. No.	Part No.	Description
C819	1556226G5	CAPACITOR,ELECTROLYTIC,22UF 50V
C820, C852	1553477M5	CAPACITOR,ELECTROLYTIC,470UF 16V
C821	1553108M4	CAPACITOR,ELECTROLYTIC,1000UF 16V
C822	1553107G5	CAPACITOR,ELECTROLYTIC,100UF 16V
C850	157C1030E	CAPACITOR,CHIP,0.01UF 25V
C853	155647425	CAPACITOR,ELECTROLYTIC,0.47UF 50V
CA01, CA03	1553476G5	CAPACITOR,ELECTROLYTIC,47UF 16V
CA04, CD04	1553477M5	CAPACITOR,ELECTROLYTIC,470UF 16V
CA06, CC07	157C2230E	CI-2125F223Z25-CT
CA07, CC06	1553476G5	CAPACITOR,ELECTROLYTIC,47UF 16V
CA09	15711010E	CAPACITOR,CHIP,100PF 50V
CC04	157F3910E	CAPACITOR,CHIP,390PF 50V
CC08, CC09	15712200E	CAPACITOR,CHIP,22PF 50V
CC11	15712200E	CAPACITOR,CHIP,22PF 50V
CD02, CD23	155310625	CAPACITOR,ELECTROLYTIC,10UF 16V
CD29	157A1530E	CAPACITOR,CHIP,0.015UF 25V
CD37	157A1520E	CAPACITOR,CHIP,1500PF 50V
D201, D202	131002101	DIODE,1SS254T
D204, D402	131002101	DIODE,1SS254T
D701, D702	131002101	DIODE,1SS254T
D799	134014131	DIODE,ZENER,MTZJ3.9T-B
D801, D802	132014201	DIODE,1A5T
D803, D804	132014201	DIODE,1A5T
D805	132014606	DIODE,EG01C-FT
D806, D807	131002101	DIODE,1SS254T
D808, D810	131003001	DIODE,1SS244T
D809	132013508	DIODE,RU2YX-PF
D811	132013709	DIODE,AK03-RT
D812, D821	131003001	DIODE,1SS244T
D815, D822	131002101	DIODE,1SS254T
D816	132014101	DIODE,1A4T
D819	134015131	DIODE,ZENER,MTZJ6.8T-B
D820	134015021	DIODE,ZENER,MTZJ6.2T-B
D823	134014721	DIODE,ZENER,MTZJ10T-C
D830, D831	131002101	DIODE,1SS254T
D850	134019511	DIODE,ZENER,MTZJ33T-A,B
D852, D853	131002101	DIODE,1SS254T
D854	134016621	DIODE,ZENER,MTZJ11T-A
D880, DD01	131002101	DIODE,1SS254T
ETA01	104305750	ELECTRONIC TUNER,ENG57510G
F201	1764139B0	X'TAL,HC49U-4.433619MHZ
F701	1764134B0	X'TAL,HC-49U-S12.00MHZ
F702	176300500	X'TAL,32.768KHZ-10PPM

**PC BOARD ASS'Y (MAIN) 35N9910/36E5410 FOR MV-3030**  
**PC BOARD ASS'Y (MAIN) 35P5210/36E9510 FOR MV-3050G**  
**PC BOARD ASS'Y (MAIN) 35Q7310/36E9710 FOR MV-4010G**

Ref. No.	Part No.	Description
FC01	1764084C0	X'TAL,HC-49U17.734475MHZ
FH801, FH802	26N20110	FUSE HOLDER CNT47
H701	143002000	FIP,7-MT-183G
IC201	111729300	IC,LA7437
IC203	112285300	IC,LC89970
IC401	111717300	IC,LA7286
IC601	111718200	IC,TA7291S
IC701	119344400	IC,CXP88140-144Q FOR MV-3030
IC701	119345400	IC,CXP88140-145Q FOR MV-3050G/MV-4010G
IC702	111721507	IC,PST9129T-RT
IC704	113111B00	IC,AT24C01A FOR MV-3030
IC704	113112B00	IC,AT24C02 FOR MV-3050G/MV-4010G
(*The IC ROM settings vary for each model, so please specify the model you are using when ordering replacement IC-ROM 704 parts.)		
IC750	111380300	IC,LA7116
IC801	145300900	PHOTOCOUPLER,PS2561-1-MDHW-V
IC802	111719207	IC,TA76431S-RT
ICC01	119339300	IC,LC74781-9155
ICD01	112283700	IC,CD4052BE
L201	172015627	L-LF-5.0-181J-ST
L203, LC02	172012327	L-LF-5.0-330J-ST
L204	172015427	L-LF-5.0-820J-ST
L205, L214	172012227	L-LF-5.0-470J-ST
L206, L211	172019427	COIL,LF-5.0-390J-ST
L207	172012127	L-LF-5.0-100J-ST
L209	172012527	L-LF-5.0-101J-ST
L212, L402	172007734	COIL,EL0606RA-101J-FT
L213, L805	172007634	COIL,EL0606RA-100J-FT
L401	171055600	COIL,OSC-BIAS (11V)
L801	173006180	COIL,ELF18D290A
L803, L804	172022944	COIL,LHL06TB220K-FT
LC01	172007734	COIL,EL0606RA-101J-FT
LD790	141014900	LED,SLR-932A
LD791, LD792	141023500	LED,SLR-981A
MD701	106012100	MODULE,TFMX5380SN
MP201	22128520	HOLDER (FIP-L)
MP202	22128530	HOLDER (FIP-R)
MP203, MP207	22127580	HOLDER (1)
MP204, MP208	22127590	HOLDER (2)
MP205	22127600	HOLDER (5)
MP206	21234760	SHIELD PLATE (DECK)
N401	1963104E0	QS-CONN-8283-02 ##
N701	191223050	WIRE M-GND
P201	198130529	POST-09FE-BT-VK-N FOR MV-3030/MV-3050G

**PC BOARD ASS'Y (MAIN) 35N9910/36E5410 FOR MV-3030**  
**PC BOARD ASS'Y (MAIN) 35P5210/36E9510 FOR MV-3050G**  
**PC BOARD ASS'Y (MAIN) 35Q7310/36E9710 FOR MV-4010G**

Ref. No.	Part No.	Description
P201	19813052B	POST-11FE-BT-VK-N FOR MV-4010G
P701	1981299AS	POST-TVK-A28X-B1
P702, P703	1981270G2	POST-00-8283-0212-0
P801	198130722	POST-B2P3-VH
PD03	2656235	CONNECTOR (3208)
PQ790, PQ791	120013100	TRANSISTOR,SPS-1118C
PQ792, PQ793	120013100	TRANSISTOR,SPS-1118C
Q201, Q202	123245811	TRANSISTOR,2SC2458T-Y,GR
Q203, Q206	123245811	TRANSISTOR,2SC2458T-Y,GR
Q205	120002401	TRANSISTOR,DTA124EST
Q401	123195901	TRANSISTOR,2SC1959T-GR
Q790	120004601	TRANSISTOR,RN1203,TPE4
Q801	124213201	TRANSISTOR,2SD2132T-V,W
Q802	123451700	TRANSISTOR,2SC4517
Q803, Q852	123245811	TRANSISTOR,2SC2458T-Y,GR
Q851	124158101	TRANSISTOR,2SD1581T-L,M
QA01	120003201	TRANSISTOR,RN2205ST
QC01, QC02	121104811	TRANSISTOR,2SA1048T-GR
QD05	123245811	TRANSISTOR,2SC2458T-Y,GR
R200, R202	165218206	RESISTOR,CHIP,1.8KOHM 1/10W
R203, R219	165268106	RESISTOR,CHIP,680OHM 1/10W
R204, R205	165239106	RESISTOR,CHIP,390OHM 1/10W
R206, R215	165222206	RESISTOR,CHIP,2.2KOHM 1/10W
R207, R226	165282106	RESISTOR,CHIP,820OHM 1/10W
R208, R212	165210206	RESISTOR,CHIP,1KOHM 1/10W
R209, R210	165256106	RESISTOR,CHIP,560OHM 1/10W
R211, R707	165212206	RESISTOR,CHIP,1.2KOHM 1/10W
R214, R418	165239206	RESISTOR,CHIP,3.9KOHM 1/10W
R216, R706	165215206	RESISTOR,CHIP,1.5KOHM 1/10W
R217, R413	165247206	RESISTOR,CHIP,4.7KOHM 1/10W
R218, R409	165222206	RESISTOR,CHIP,2.2KOHM 1/10W
R220, R408	165227206	RESISTOR,CHIP,2.7KOHM 1/10W
R221, R422	165200006	RESISTOR,CHIP,0OHM 1/10W
R222	165282306	RESISTOR,CHIP,82KOHM 1/10W
R223, R423	165210206	RESISTOR,CHIP,1KOHM 1/10W
R224	165218206	RESISTOR,CHIP,1.8KOHM 1/10W
R225, R735	165282206	RESISTOR,CHIP,8.2KOHM 1/10W
R227	165268106	RESISTOR,CHIP,680OHM 1/10W
R228, R229	165210306	RESISTOR,CHIP,10KOHM 1/10W
R230, R709	165210306	RESISTOR,CHIP,10KOHM 1/10W
R231, R407	165247306	RESISTOR,CHIP,47KOHM 1/10W
R255	165256106	RESISTOR,CHIP,560OHM 1/10W
R401, R416	165218106	RESISTOR,CHIP,180OHM 1/10W

**PC BOARD ASS'Y (MAIN) 35N9910/36E5410 FOR MV-3030**  
**PC BOARD ASS'Y (MAIN) 35P5210/36E9510 FOR MV-3050G**  
**PC BOARD ASS'Y (MAIN) 35Q7310/36E9710 FOR MV-4010G**

Ref. No.	Part No.	Description
R402, R715	165233406	RESISTOR,CHIP,330KOHM 1/10W
R403, R756	165212306	RESISTOR,CHIP,12KOHM 1/10W
R404	165256206	RESISTOR,CHIP,5.6KOHM 1/10W FOR MV-4010G
R405	165256206	RESISTOR,CHIP,5.6KOHM 1/10W
R406	165218506	RESISTOR,CHIP,1800.0KOHM 1/10W
R410, R812	165227206	RESISTOR,CHIP,2.7KOHM 1/10W
R411, R705	165222206	RESISTOR,CHIP,2.2KOHM 1/10W
R412, RD02	165227306	RESISTOR,CHIP,27KOHM 1/10W
R414, R420	165247006	RESISTOR,CHIP,47OHM 1/10W
R415	16524R706	RESISTOR,CHIP,4.7OHM 1/10W
R417, R704	165233206	RESISTOR,CHIP,3.3KOHM 1/10W
R421	165210106	RESISTOR,CHIP,100OHM 1/10W
R601, R602	161310004	RESISTOR,CARBON,10OHM 1/6W
R603, R858	161310004	RESISTOR,CARBON,10OHM 1/6W
R710, R759	165210206	RESISTOR,CHIP,1KOHM 1/10W
R711, R732	165210306	RESISTOR,CHIP,10KOHM 1/10W
R712, R752	165210406	RESISTOR,CHIP,100KOHM 1/10W
R713, R716	165247206	RESISTOR,CHIP,4.7KOHM 1/10W
R714, R760	165222206	RESISTOR,CHIP,2.2KOHM 1/10W
R717, R718	165247206	RESISTOR,CHIP,4.7KOHM 1/10W
R719, R720	165247206	RESISTOR,CHIP,4.7KOHM 1/10W
R721	165256306	RESISTOR,CHIP,56KOHM 1/10W
R722	165212406	RESISTOR,CHIP,120KOHM 1/10W
R723, R793	165256206	RESISTOR,CHIP,5.6KOHM 1/10W
R724	165233206	RESISTOR,CHIP,3.3KOHM 1/10W
R726, R729	165222306	RESISTOR,CHIP,22KOHM 1/10W
R727, R728	165247306	RESISTOR,CHIP,47KOHM 1/10W
R730, R750	165247206	RESISTOR,CHIP,4.7KOHM 1/10W
R731	165239306	RESISTOR,CHIP,39KOHM 1/10W
R733, R734	165247306	RESISTOR,CHIP,47KOHM 1/10W
R737, R740	165210306	RESISTOR,CHIP,10KOHM 1/10W
R739, R743	165247306	RESISTOR,CHIP,47KOHM 1/10W
R751, R811	165239206	RESISTOR,CHIP,3.9KOHM 1/10W
R753, R754	165210306	RESISTOR,CHIP,10KOHM 1/10W
R755, R781	165210306	RESISTOR,CHIP,10KOHM 1/10W
R757	165233106	RESISTOR,CHIP,330OHM 1/10W
R758	165233406	RESISTOR,CHIP,330KOHM 1/10W
R761, R770	165210206	RESISTOR,CHIP,1KOHM 1/10W
R782, R784	165210306	RESISTOR,CHIP,10KOHM 1/10W
R785, R786	165247206	RESISTOR,CHIP,4.7KOHM 1/10W
R790, R792	165256406	RESISTOR,CHIP,560KOHM 1/10W
R791, R796	165218006	RESISTOR,CHIP,18OHM 1/10W
R794, R798	165247006	RESISTOR,CHIP,47OHM 1/10W

**PC BOARD ASS'Y (MAIN) 35N9910/36E5410 FOR MV-3030**  
**PC BOARD ASS'Y (MAIN) 35P5210/36E9510 FOR MV-3050G**  
**PC BOARD ASS'Y (MAIN) 35Q7310/36E9710 FOR MV-4010G**

Ref. No.	Part No.	Description
R795, RA01	165256206	RESISTOR,CHIP,5.6KOHM 1/10W
R797	165218006	RESISTOR,CHIP,18OHM 1/10W
R802	16C34R71A	RESISTOR4.7OHM 3W
R803, R804	161382304	RESISTOR,CARBON,82KOHM 1/6W
R805, R806	161382304	RESISTOR,CARBON,82KOHM 1/6W
R807, R808	161368304	RESISTOR,CARBON,68KOHM 1/6W
R809	16428230A	RESISTOR,OXIDE METAL FILM,82KOHM 2W
R810	16411210A	RESISTOR,OXIDE METAL FILM,120OHM 1W
R813	165247106	RESISTOR,CHIP,470OHM 1/10W
R814	16311R20A	RESISTOR,METAL FILM,1.2OHM 1/2W
R820, R821	161368304	RESISTOR,CARBON,68KOHM 1/6W
R824, R883	165210206	RESISTOR,CHIP,1KOHM 1/10W
R832, R833	161315204	RESISTOR,CARBON,1.5KOHM 1/6W
R834, R836	161382104	RESISTOR,CARBON,820OHM 1/6W
R850, R852	165247206	RESISTOR,CHIP,4.7KOHM 1/10W
R853, R881	165247206	RESISTOR,CHIP,4.7KOHM 1/10W
R854	165218306	RESISTOR,CHIP,18KOHM 1/10W
R856, R857	165247006	RESISTOR,CHIP,47OHM 1/10W
R859	165210306	RESISTOR,CHIP,10KOHM 1/10W
R880, RA02	165222206	RESISTOR,CHIP,2.2KOHM 1/10W
R882	165222106	RESISTOR,CHIP,220OHM 1/10W
R884	165C30206	RESISTOR,CHIP,2KOHM 1/10W
R885	165C20206	RESISTOR,CHIP,2KOHM 1/10W
R886	165282106	RESISTOR,CHIP,820OHM 1/10W
R887	165247006	RESISTOR,CHIP,47OHM 1/10W
RA03	165200006	RESISTOR,CHIP,0OHM 1/10W
RA04, RA06	165210406	RESISTOR,CHIP,100KOHM 1/10W
RA05, RD07	165247206	RESISTOR,CHIP,4.7KOHM 1/10W
RC01	161233108	RESISTOR,CARBON,330OHM 1/4W
RC04, RC05	165222206	RESISTOR,CHIP,2.2KOHM 1/10W
RC06, RD26	165210406	RESISTOR,CHIP,100KOHM 1/10W
RD01	165256206	RESISTOR,CHIP,5.6KOHM 1/10W
RD03	165215306	RESISTOR,CHIP,15KOHM 1/10W
RD04, RD05	165275006	RESISTOR,CHIP,75OHM 1/10W
RD06	165210206	RESISTOR,CHIP,1KOHM 1/10W
RD27	165222206	RESISTOR,CHIP,2.2KOHM 1/10W
SW701, SW7A5	23A11520	SWITCH SOR-142HS
SW790, SW791	23M10070	LEAF SW 10480 MLB0
SW7A6, SW7A7	23A11520	SWITCH SOR-142HS
SWA01	23D11190	SLIDE SW SSAA11
T801	174401080	TRANSFORMER,SWT-ZTS2714V
Z801	26GA022	MINI FUSE T1.6A250V
	21144810	HEATSINK
	2953308A	DPBB-3X8SSA

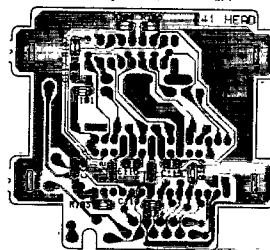
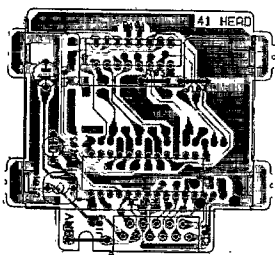
## 10. PC BOARD ASS'Y (HEAD) PARTS LIST (MV-3030/MV-3050G)

### PC BOARD ASS'Y (HEAD) 35N7140/36E2940

Ref. No.	Part No.	Description
C101	1563335B5	CAPACITOR,TANTALUM,3.3UF 16V
C102	157C2230E	CI-2125F223Z25-CT
C103	155610525	CAPACITOR,ELECTROLYTIC,1UF 50V
C110, C112	157C1030E	CAPACITOR,CHIP,0.01UF 25V
C115, C116	157C1030E	CAPACITOR,CHIP,0.01UF 25V
C117	157C1030E	CAPACITOR,CHIP,0.01UF 25V
IC102	111714300	IC,LA7411
L101	172007734	COIL,EL0606RA-101J-FT
MP101	21234740	SHIELD PLATE (HEAD)
MP102	21234751	SHIELD PLATE (B-HA)
P101	1981250G6	POST-20-8283-006
P103	198130629	POST-09FE-ST-VK-N
R101, R104	165218306	RESISTOR,CHIP,18KOHM 1/10W
R103	165218206	RESISTOR,CHIP,1.8KOHM 1/10W
R106, R107	165200006	RESISTOR,CHIP,0OHM 1/10W
R108	165200006	RESISTOR,CHIP,0OHM 1/10W
R109	165210306	RESISTOR,CHIP,10KOHM 1/10W
	180562141	PLAIN PCB HEAD WITHOUT ELECTRICAL PARTS

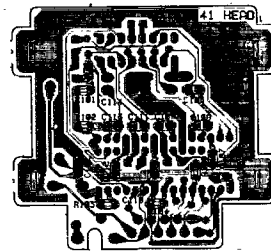
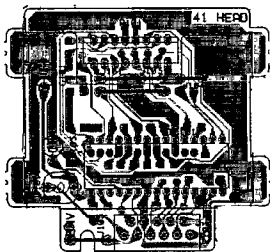
## 11. PC BOARD ASS'Y (HEAD) PARTS LOCATION (MV-3030/MV-3050G)

### PC BOARD ASS'Y (HEAD)



**12. PC BOARD ASS'Y (HEAD) PARTS LIST (MV-4010G)****PC BOARD ASS'Y (HEAD) 35N7340/36E3140**

Ref. No.	Part No.	Description
C101	1563335B5	CAPACITOR,TANTALUM,3.3UF 16V
C102	157C2230E	CI-2125F223Z25-CT
C103	155610525	CAPACITOR,ELECTROLYTIC,1UF 50V
C105, C107	157C1030E	CAPACITOR,CHIP,0.01UF 25V
C106, C108	157A1020E	CAPACITOR,CHIP,1000PF 50V
C109, C110	157C1030E	CAPACITOR,CHIP,0.01UF 25V
C111, C112	157C1030E	CAPACITOR,CHIP,0.01UF 25V
C113, C114	157C1030E	CAPACITOR,CHIP,0.01UF 25V
IC101	111715300	IC,LA7416
L101	172007734	COIL,EL0606RA-101J-FT
MP101	21234740	SHIELD PLATE (HEAD)
MP102	21234751	SHIELD PLATE (B-HA)
P101	1981250G8	POST-20-8283-008
P103	19813062B	POST-11FE-ST-VK-N
R101, R102	165218306	RESISTOR,CHIP,18KOHM 1/10W
R103	165218206	RESISTOR,CHIP,1.8KOHM 1/10W
R104	165233306	RESISTOR,CHIP,33KOHM 1/10W
R109	165210306	RESISTOR,CHIP,10KOHM 1/10W
	180562141	PLAIN PCB HEAD WITHOUT ELECTRICAL PARTS

**13. PC BOARD ASS'Y (HEAD) PARTS LOCATION (MV-4010G)****PC BOARD ASS'Y (HEAD)**



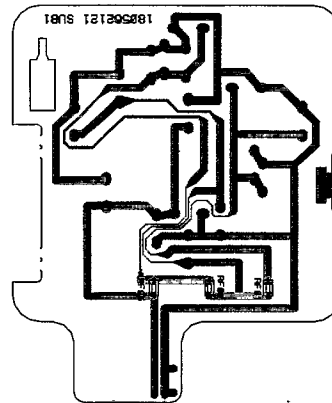
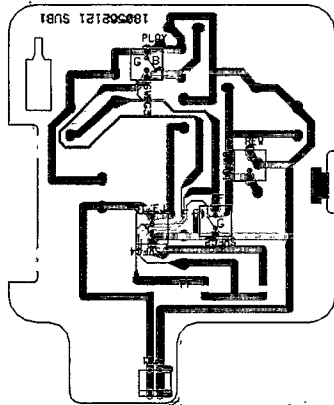
# 14. PC BOARD ASS'Y (SUB 1) PARTS LIST

## PC BOARD ASS'Y (SUB 1) 35N5420/36E8120

Ref. No.	Part No.	Description
PF01	1981250G2	POST-20-8283-002
RF01	165233306	RESISTOR,CHIP,33KOHM 1/10W
RF02	165210306	RESISTOR,CHIP,10KOHM 1/10W
RF03	165256206	RESISTOR,CHIP,5.6KOHM 1/10W
SWFG1, SWFG2	23A11520	SWITCH SOR-142HS
SWFG3, SWFG4	23A11520	SWITCH SOR-142HS
	180562121	PLAIN PCB SUB1 WITHOUT ELECTRICAL PARTS

# 15. PC BOARD ASS'Y (SUB 1) PARTS LOCATION

## PC BOARD ASS'Y (SUB1)



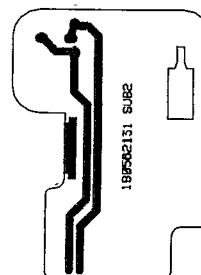
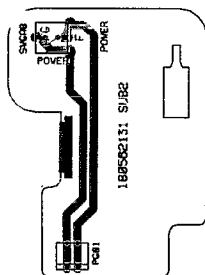
# 16. PC BOARD ASS'Y (SUB 2) PARTS LOCATION

## PC BOARD ASS'Y (SUB 2) 35N5430/36E3030

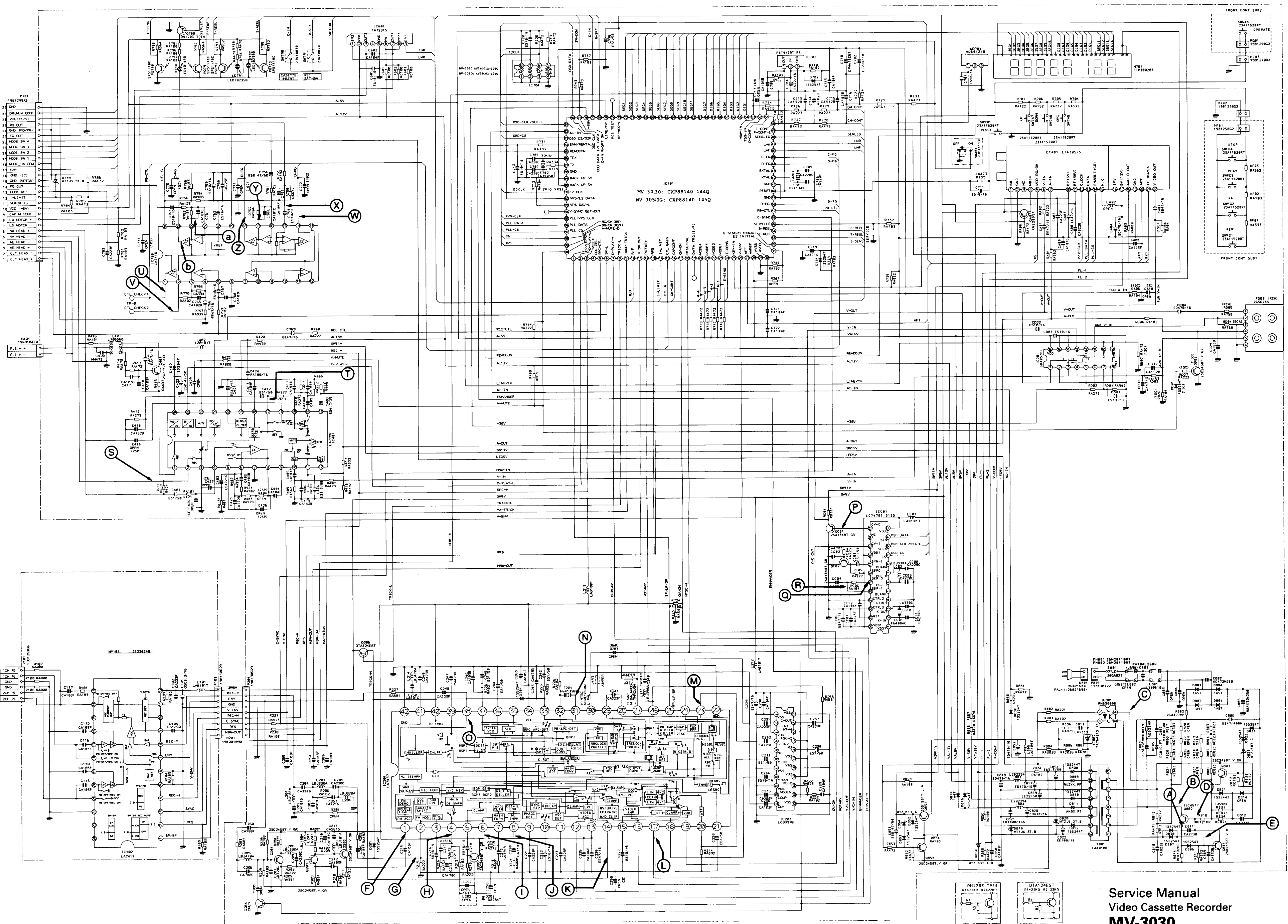
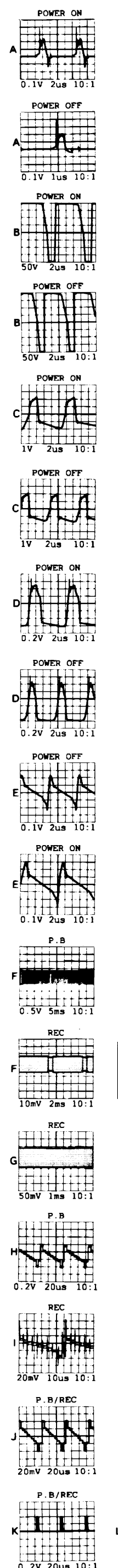
Ref. No.	Part No.	Description
PG01	1981250G2	POST-20-8283-002
SWGA8	23A11520	SWITCH SOR-142HS
	180562131	PLAIN PCB SUB2 WITHOUT ELECTRICAL PARTS

# 17. PC BOARD ASS'Y (SUB 2) PARTS LOCATION

## PC BOARD ASS'Y (SUB2)

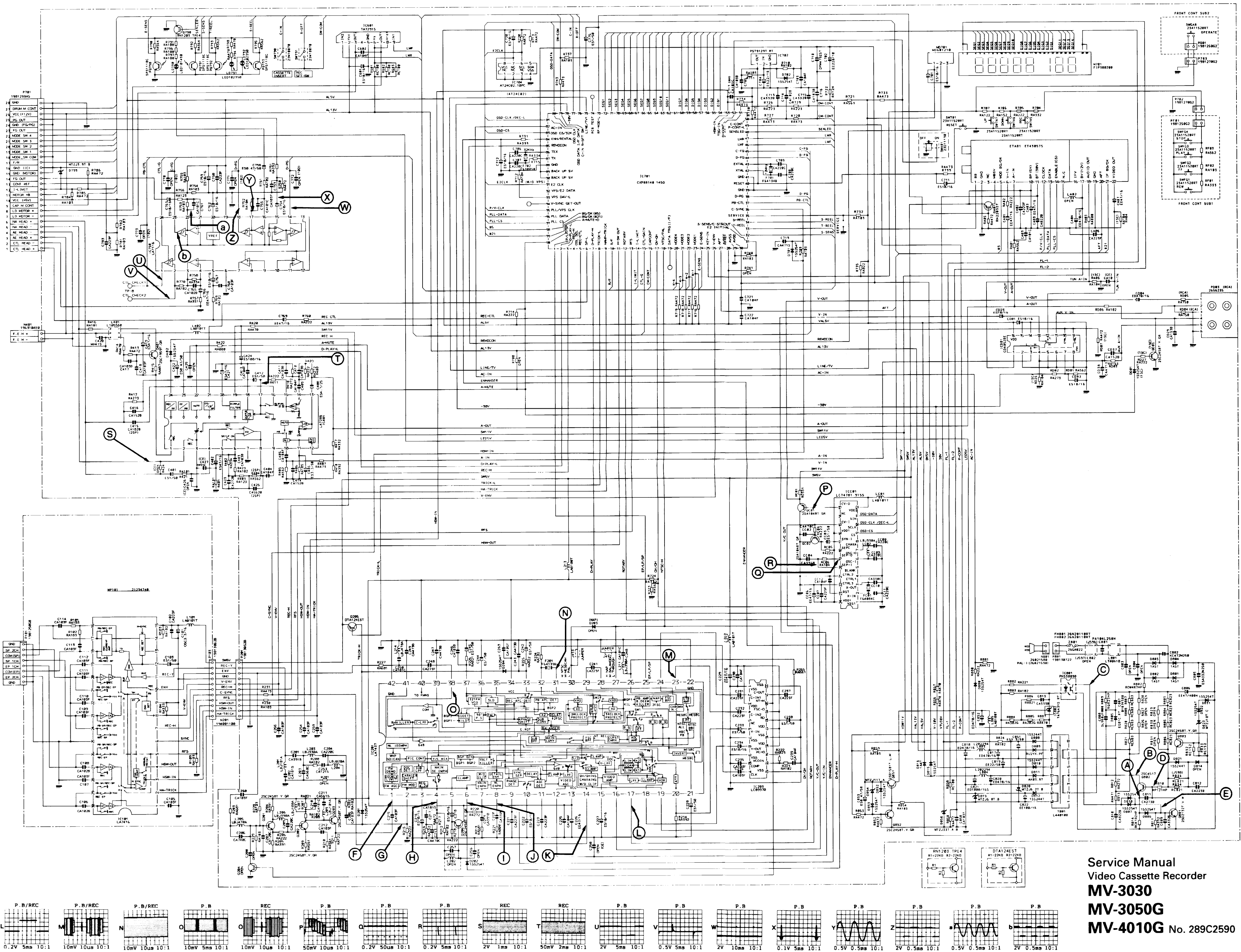
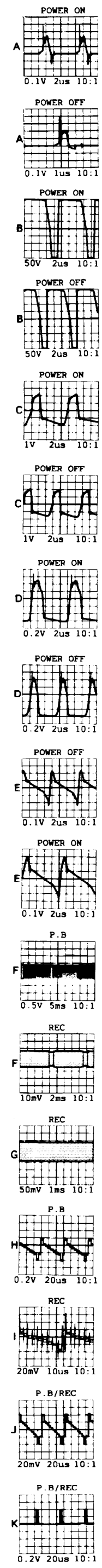


# 4. SCHEMATIC DIAGRAM (MV-3030/MV-3050G)



Service Manual  
 Video Cassette Recorder  
**MV-3030**  
**MV-3050G**  
**MV-4010G** No. 289C2590

**SCHEMATIC DIAGRAM (MV-4010G)**



Service Manual  
 Video Cassette Recorder  
**MV-3030**  
**MV-3050G**  
**MV-4010G** No. 289C2590